

**QUICKSTART
GUIDE
PIONEER DJ
DJM-S9**

serato



Installation and Setup

The Pioneer DJ DJM-S9 is a Serato DJ and DVS enabled device and does not require a Serato DJ or DVS Expansion Pack license.

The Pioneer DJ DJM-S9 requires drivers on both Mac OS X and Windows. Please make sure you have the latest drivers installed before using with Serato DJ.

It is always important to connect your mixer directly to your computer, rather than a USB hub. Please also ensure you have installed the [latest version of Serato DJ](#).

Follow the steps in the DVS Control section to use the DJM-S9 with DVS control and Serato DJ.

NOTE: After the driver is installed, you will need to restart the mixer before the it will connect correctly. **Please restart your mixer after installing the driver and using your Pioneer DJ DJM-S9 for the first time.**

User Guide

For further detailed information on DJM-S9 controls, hardware specifications and details on individual features please refer to the Pioneer DJ DJM-S9 Hardware User Guide.

[Download the Pioneer DJ DJM-S9 User Guide here](#)

DVS Control

Follow the steps below to get the DJM-S9 working with Serato DJ DVS control.

Install Drivers

Connect your DJM-S9 mixer via USB and open the [latest version of Serato DJ](#). You should see an '**INSTALL DRIVER**' dialogue box appear in the right hand side-panel. Click '**INSTALL DRIVER**' and follow the installer prompts. Once the driver has been installed, turn your mixer OFF and then ON.

NOTE: Make sure the mixer is restarted after the driver is installed. This is required before the mixer will function correctly with Serato DJ.

If you don't have the mixer with you right now you can still download the driver from the [hardware manufacturers website](#).

Select Input source

Once turntables or CDJs are connected to the mixer, open the **SETUP** screen and click the **AUDIO** tab. Click Depending on what kind of input you have connected (Turntables/CDJs) you will need to make sure this is set accordingly for each channel. Click the configuration you want to use.

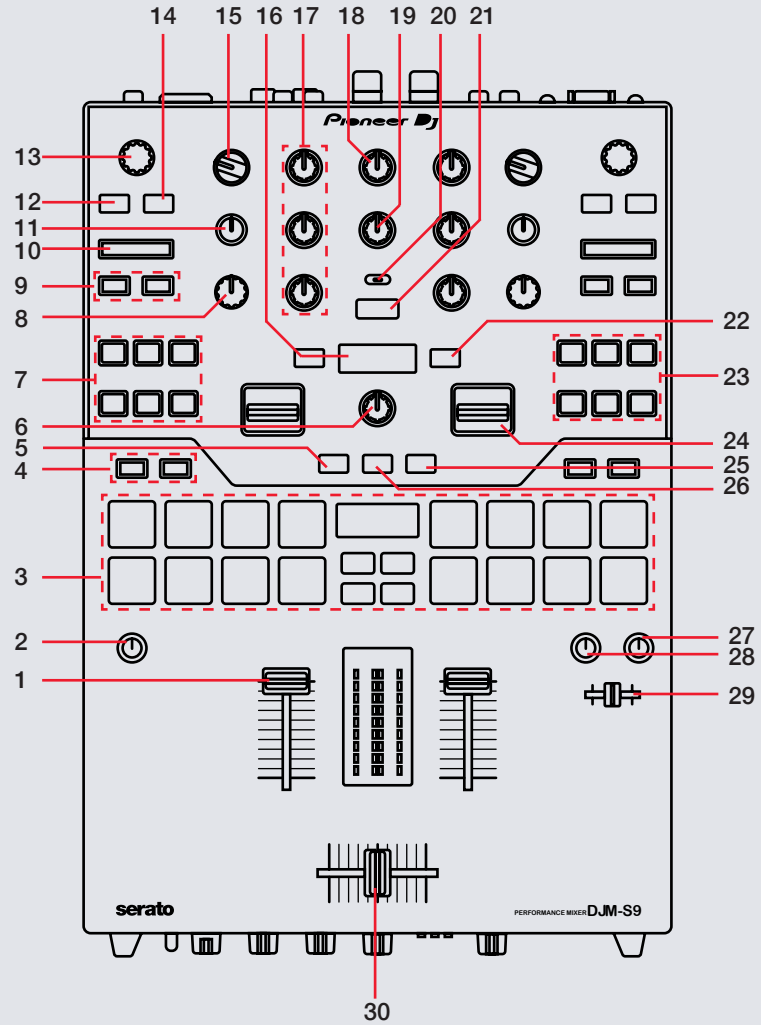
Click **CUSTOM** to open the Pioneer DJ driver panel. Here you can further configure the inputs, outputs and FX preferences of the DJM-S9. [See the DJM-S9 user guide for further information.](#)

NOTE: If you do not set the mixer's input accordingly, DVS control will not work. Please make sure you have clicked the appropriate input source.

serato



MIXER



NOTE: The SHIFT button is used with other buttons that have shift modifier functions.

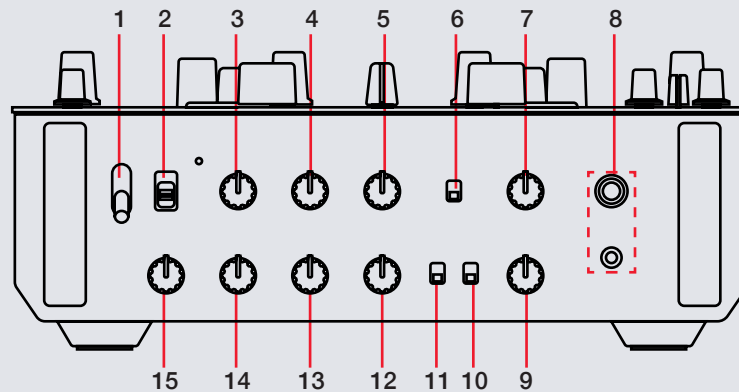
#	DJM-S9 Control	Function	SHIFT
1	CHANNEL FADER	Adjust channel volume	
2	SAMPLER VOLUME	Adjust SP-6 Sampler volume	
3	PERFORMANCE PADS	SEE PERFORMANCE PAD SECTION FOR MORE INFORMATION	
4	PARAMETER 1	Toggle Parameter 1 Left/Right	Toggle Parameter 2 Left/Right
5	SAMPLER FX ON	Turn Sampler FX On	Load FX Bank A
6	LEVEL/DEPTH	Adjust FX Wet/Dry level	
7	BEAT FX SELECT	Select Pioneer DJ DJM-S9 Beat FX	
8	FILTER	Channel HPF/LPF filter	
9	LOOP 1/2X / 2X	Half (1/2X) or double (2X) loop size	Adjust Loop In and Loop Out points
10	4 BEAT LOOP	Activate 4 beat loop	Loop active
11	TRIM	Adjust channel trim	
12	BACK	Toggle back to Crates/Library	Toggle Serato DJ view modes
13	BROWSE	Scroll to browse Serato DJ library. Press to toggle Back. Double-press to Instant Double.	
14	LOAD	Load highlighted track to respective deck	Load to highlighted track to prepare crate
15	INPUT SELECT	Select channel input source	
16	DISPLAY	Displays Beat FX information	
17	CHANNEL EQ	Adjust HI/MID/LOW EQ for channel	
18	MASTER LEVEL	Adjust master level output	
19	BOOTH LEVEL	Adjust booth level output	
20	PANEL-/UTILITY	Press to toggle Serato DJ panels / hold to enable Utility Mode	

serato

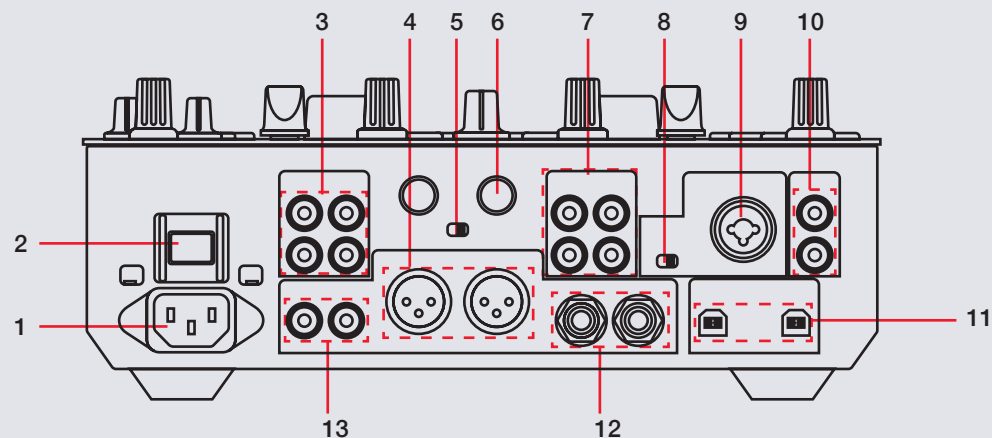


NOTE: The SHIFT button is used with other buttons that have shift modifier functions.

#	DJM-S9 Control	Function	SHIFT
21	SHIFT	USED WITH OTHER BUTTONS THAT HAVE SHIFT MODIFIER FUNCTIONS	
22	BEAT FX PARAMETER LEFT/RIGHT	Adjust Beat FX timing / beats multiplier	
23	SERATO DJ FX SELECT	Select Serato DJ FX	
24	FX ON/OFF	Turn FX ON/OFF for the channel. In the up position, the FX toggle switch will lock ON.	
25	AUX FX ON	Turn AUX FX On	Load FX Bank B
26	TAP	Tap FX tempo. Hold to reset.	Auto BPM
27	HEADPHONE MIX	Adjust headphone cue/master mix	
28	HEADPHONE LEVEL	Adjust headphone output level	
29	HEADPHONE CHANNEL CUE	Adjust headphone cue CH1/CH2	
30	CROSSFADER	Fade audio between channels	

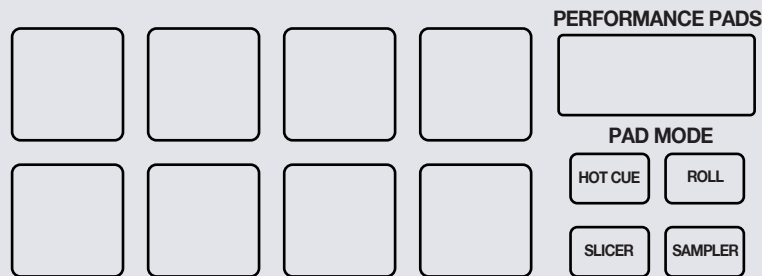


#	DJM-S9 Control	Function
1	MIC ON/OFF	Turn microphone ON/OFF
2	MIC TALK OVER ON/OFF	Enable MIC talk over ON/OFF
3	MIC EQ HI	MIC EQ high frequency Adjust
4	MIC ECHO	Adjust microphone Echo
5	CROSSFADER FEELING ADJUST	Adjust feeling of the crossfader
6	CROSSFADER REVERSE	Enable crossfader reverse
7	CROSSFADER CURVE	Adjust the crossfader curve
8	HEADPHONES 1/8"/1/4"	Headphone 1/8" and 1/4" outputs
9	CH2 CURVE	Adjust the curve for channel fader CH 2
10	CH2 REVERSE	Enable fader reverse for CH 2
11	CH1 REVERSE	Enable fader reverse for CH 1
12	CH1 CURVE	Adjust the curve for channel fader CH 1
13	AUX LEVEL	Adjust AUX channel output volume
14	MIC EQ LOW	MIC EQ low frequency adjust
15	MIC LEVEL	Adjust microphone output level



#	DJM-S9 Control	Function
1	AC IN	Connect AC power cable
2	POWER	Turn mixer ON/OFF
3	CH2 INPUTS	Connect RCA inputs for channel 2
4	MASTER 1 (XLR)	Connect XLR cables for master output
5	MASTER ATT.	Master output level adjust
6	GROUNDING POST	Connect grounding wires from turntables
7	CH1 INPUTS	Connect RCA inputs for channel 1
8	MIC LEVEL INPUT SWITCH	Toggle MIC input level (Line/Mic)
9	MIC INPUT	Microphone input
10	AUX INPUT	AUX channel RCA input
11	USB	Connect USB to computer
12	BOOTH	Connect TRS cables for booth output
13	MASTER 2 (RCA)	Connect RCA cables for master output

Performance Pads



The Pioneer DJ DJM-S9 performance pads have eight different modes you can select. The first four modes are; **Hot Cue**, **Roll**, **Slicer** and **Sampler**. The second four modes, **Cue Loop**, **Saved Loop**, **Slicer Loop** and **Sampler Roll** are activated by holding **SHIFT** and pressing the respective performance pad mode buttons.

HOT CUE Mode: When pressing pads 1-8 you can add up to 8 Cue Points. Holding SHIFT and pressing buttons 1-8 will delete the Cue Points. Press Hot Cue mode twice to enable Flip performance mode. Pressing pads 1-6 in will trigger saved Flips, pressing SHIFT + pads 1-6 will turn saved Flips on/off. Pressing an empty Flip slot will save any active Flip to that slot. Hold SHIFT while pressing Hot Cue pad mode will enable **CUE LOOP** mode. Pressing pads 1-8 in Hot Cue pad mode will play a Loop Roll from the Cue point position.

ROLL Mode: When pressing buttons 1-8 you can activate a loop roll. The loop length is determined by the Auto Loop Range currently selected in the Loop section of the software, which you can change using the PARAMETER1 buttons. Hold SHIFT and press the Roll pad mode to enable **SAVED LOOP** mode. Pads 1-8 will trigger saved loops.

SLICER Mode: A specified range (or domain) is divided into eight equal sections, and these eight sliced sections are assigned to the respective performance pads. Pressing SLICER once for the first mode, is a shifting Slicer Domain. Hold SHIFT and press the SLICER pad mode button for the second mode, **SLICER LOOP**. Use PARAMETER1 to set the quantization for the slicer function. The quantization can be set in four ways: 1/8, 1/4, 1/2 and 1. Hold SHIFT + PARAMETER1 to set the domain. The domain can be set to one of six settings: 2 beats, 4 beats, 8 beats, 16 beats, 32 beats or 64 beats.

SAMPLER Mode: Buttons 1-6 Trigger Samples loaded in your Sample Banks. Use PARAMETER1 Left/Right buttons to cycle through Sample Banks. Hold SHIFT and press the SAMPLER pad mode button to enable **SAMPLER ROLL** Mode. When enabled the respective SP-6 sample slot will roll when played using the performance pads.

MIDI

The MIDI feature in Serato DJ provides the ability to remap Serato DJ software functions to your primary Serato DJ controller, interface or mixer. You can also assign controls to a secondary MIDI controller to further enhance your performance.

[For more information on MIDI mapping with Serato DJ click here.](#)

To remap your supported Serato DJ device, open the **SETUP** screen and click the **MIDI** tab. If your Serato DJ device supports hardware remapping it will show up in the **MIDI Devices** list at the top.

Select your connected device from the MIDI Devices list and make sure the “Enable MIDI device” option is checked.



Once checked, the MIDI assign button at the top of the screen will become available for you to start remapping.



You can save, edit or delete MIDI presets in the **MIDI** tab of the **SETUP** screen. Clicking **Restore Defaults** will erase any custom mappings for all connected devices and revert their functions back to default.

[Download the Serato DJ software manual for further information.](#)

NOTE: Official Serato Accessories do not currently support user remapping. Hardware features that cannot be remapped at this stage are Jog wheels/ Platters, Input Switches, Shift buttons and Performance Pad Mode buttons. Re-mapping any pad(s) in Hot Cue mode will also re-map the same pad in Saved Flip mode and vice versa.

NOTE: Pioneer DJ DJM-S9 hardware FX controls do not send appropriate MIDI signals to the software are unable to be user remapped.

Favorite FX Banks


The DJM-S9 has dedicated FX Bank buttons to allow the quick saving and reloading of Serato DJ effects. Open the FX panel by clicking the FX panel button at the top of the screen.

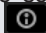


Once you have set up your favorite Serato DJ FX, simply hit ‘SAVE’ in the FX Bank box then choose your desired bank. If you change your mind, hit CANCEL. Until a new set is saved to the chosen bank, the previously saved configuration can be easily reloaded.

Load your saved bank by holding **SHIFT** on your DJM-S9 mixer and pressing the **BANK A** or **BANK B** button. Your favorite FX will now be loaded in Serato DJ and ready to use.

Using the Tool Tips

Click on the  icon to enable Tool Tips. This is located in between the MIDI and setup button in the top right hand corner of the screen. Tool Tips provide a handy way to learn the various features of Serato DJ.

Move the mouse over a section of the screen to bring up a context sensitive tool tip. Holding the mouse over the  button with Tool Tips turned on will show you a list of all keyboard shortcuts.

[For more information about how to use Serato DJ, please go to our website \[www.serato.com\]\(http://www.serato.com\) or download the Serato DJ Manual.](#)

[For more information on your DJM-S9, please refer to the Pioneer DJ DJM-S9 hardware manual.](#)

serato

