

# QUICK-START GUIDE

## NUMARK NDX-500

serato



# Installation and Setup

The Numark NDX-500 is a class compliant USB plug-and-play device for Mac, but requires drivers for Windows. You will find these on the installation CD that is provided with your NDX-500, or as a download from the [Numark website](#).

To use a pair of NDX-500s with Serato DJ, you will need at least 3 available USB ports. If you don't have 3 ports available you may be able to connect your NDX-500s to a powered USB hub. It is however, important to always connect your Serato DJ hardware directly to your computer.

Please also ensure you have also installed the latest available version of [Serato DJ](#).

1. Connect your Serato DJ hardware as per normal into an available USB port on your computer.
2. Connect the NDX-500 to your computer via USB cable or USB hub.
3. Open Serato DJ.
4. Set the virtual deck in Serato DJ to Internal mode (INT)
5. Press the SOURCE button on the NDX-500 to connect to the computer in MIDI mode.
6. Use the EJECT button to choose which virtual deck you wish the NDX-500 to control

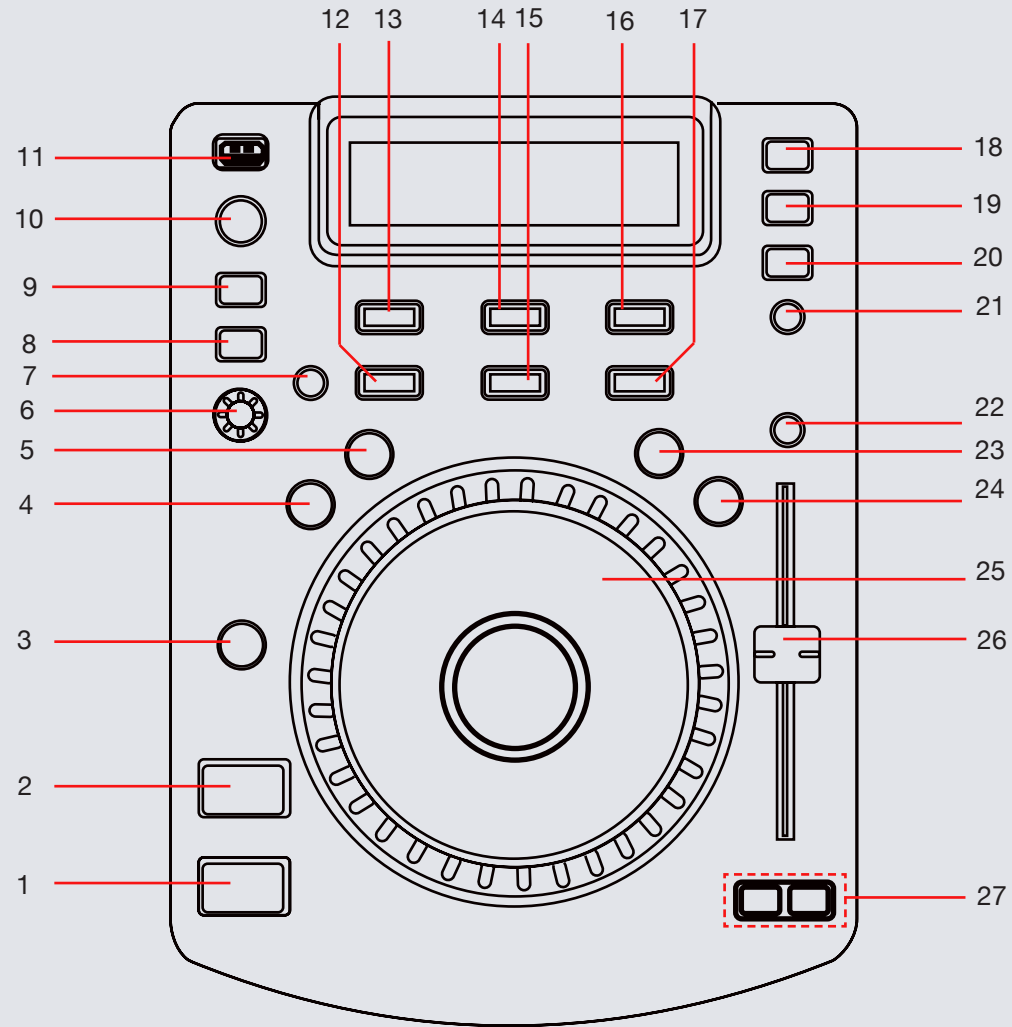
Your NDX-500 can also be used to play regular CDs. To do this just connect the NDX-500 audio outs (RCA) to your Serato DJ hardware as you would your regular CD players.

**Note: Supported Serato DJ hardware is needed to activate the software before the Numark NDX-500 is able to be used in Serato DJ.**

serato



# Controller



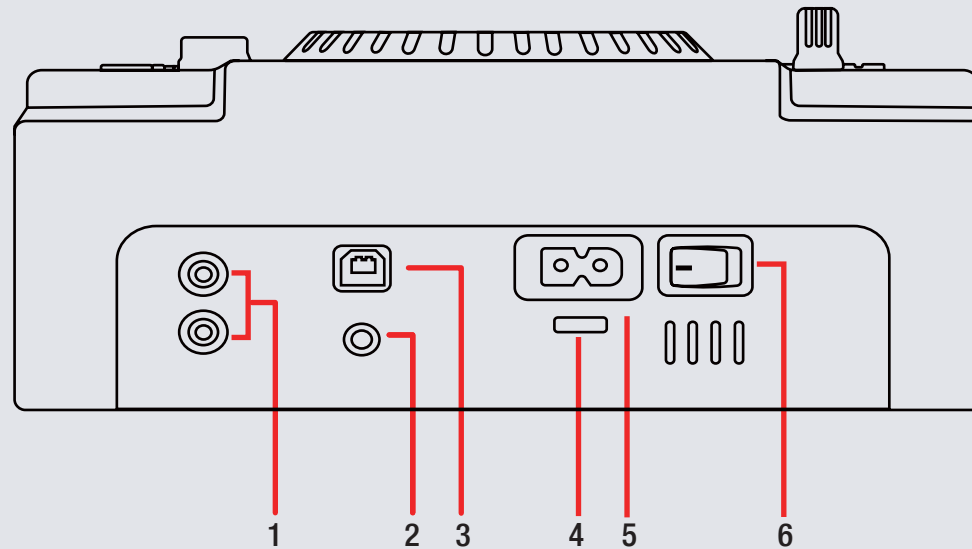
**NOTE:** The SHIFT button is used with other buttons that have shift modifier functions.

#	Numark NDX-500 CONTROL	SERATO DJ FUNCTION	SHIFT (REC)
1	PLAY/PAUSE	Play/Pause current track	
2	CUE	Set/play from Temporary Cue	Play previous track
3	TAP	Edit beatgrid/tap tempo	
4	BRAKE	Hold brake and press Cue points to trigger Auto loops.	
5	REVERSE	Enable reverse on the virtual deck	
6	BROWSER KNOB	Scroll through the Serato DJ library	
7	REC (SHIFT)	Used as SHIFT in conjunction with other controls with SHIFT modifier functions.	
8	FOLDER	Toggle Serato DJ areas	
9	SOURCE	Change input source	
10	EJECT	Eject CD/Toggle virtual deck control in MIDI mode	
11	USB	Connect USB media	
12	HOT CUE 1	Trigger Cue point 1	Delete Cue point
13	LOOP IN	Set Loop In point/Adjust Loop In point	
14	LOOP OUT	Set Loop Out point/Adjust Loop Out point	
15	HOT CUE 2	Trigger Cue point 2	Delete Cue point

*Continued on next page.*

**NOTE:** The REC button is used with other buttons that have shift modifier functions.

#	Numark NDX-500 CONTROL	SERATO DJ FUNCTION	SHIFT (REC)
16	RELOOP	Retrigger the current loop	
17	HOT LOOP 3	Trigger Cue point 3	Delete Cue point
18	TIME	Toggle time remaining/elapsed on NDX-500 display	
19	SINGLE	Toggle play mode from single to continuous	
20	PROG	Toggle track title/album/artist on NDX-500 display	
21	KEYLOCK	Keylock ON/OFF	
22	PITCH	Set available pitch range	
23	SCRATCH	Enable Scratch jog mode	
24	SEARCH	Skip search through your loaded track using the jog wheel	
25	JOG WHEEL/PLATTER	Used to control the waveform of the loaded track	
26	TEMPO FADER	Adjust track pitch/tempo	
27	PITCH BEND	Momentarily increase and decrease pitch/nudge	



#	Numark NDX-500 CONTROL	FUNCTION
1	LINE OUT	Connect RCA cables to the NDX-500 for audio output
2	REMOTE	1/8" Remote input
3	USB	Connect the NDX-500 to your computer with a USB cable
4	CURRENT/VOLTAGE SWITCH	Adjust voltage depending on local current
5	AC IN	Connect power cord to this socket
6	POWER SWITCH	Power On/Off


## MIDI


The MIDI control feature in Serato DJ provides the ability to map Serato DJ software functions to MIDI controller functions such as keyboards, triggers, sliders, and knobs. Integrating MIDI controllers into your Serato DJ setup can improve live performance usability, such as hitting pads on a MIDI controller to trigger Loops and Cue Points.

For more information download the Serato DJ manual by going to <http://serato.com/dj/downloads>

**NOTE:** You can not MIDI Map your Numark NDX-500, you will need to connect an additional MIDI controller to use these MIDI functions.

## Using the Tool Tips

Click on the  icon to enable Tool Tips. This is located in between the MIDI and setup button in the top right hand corner of the screen. Tool Tips provide a handy way to learn the various features of Serato DJ.

Move the mouse over a section of the screen to bring up a context sensitive tool tip. Holding the mouse over the  button with Tool Tips turned on will show you a list of all keyboard shortcuts.

For more information about how to use Serato DJ, please go to our website [www.serato.com](http://www.serato.com) or refer to the Serato DJ Software Manual. For more information on your controller, please refer to the hardware manual.

For further help, please contact [support@serato.com](mailto:support@serato.com) or go to [www.serato.com/support](http://www.serato.com/support)

serato

