

QUICK-START GUIDE

GEMINI SLATE 4

serato



DJ INTRO

Installation and Setup

The Gemini Slate is a class compliant USB plug and play device and requires no further driver installation on Mac however requires the latest drivers to be installed on Windows.

NOTE: Please ensure you have the latest available drivers AND firmware updates, which may be required in order to be compatible with Serato DJ Intro. Please visit the hardware manufacturers website for downloads.

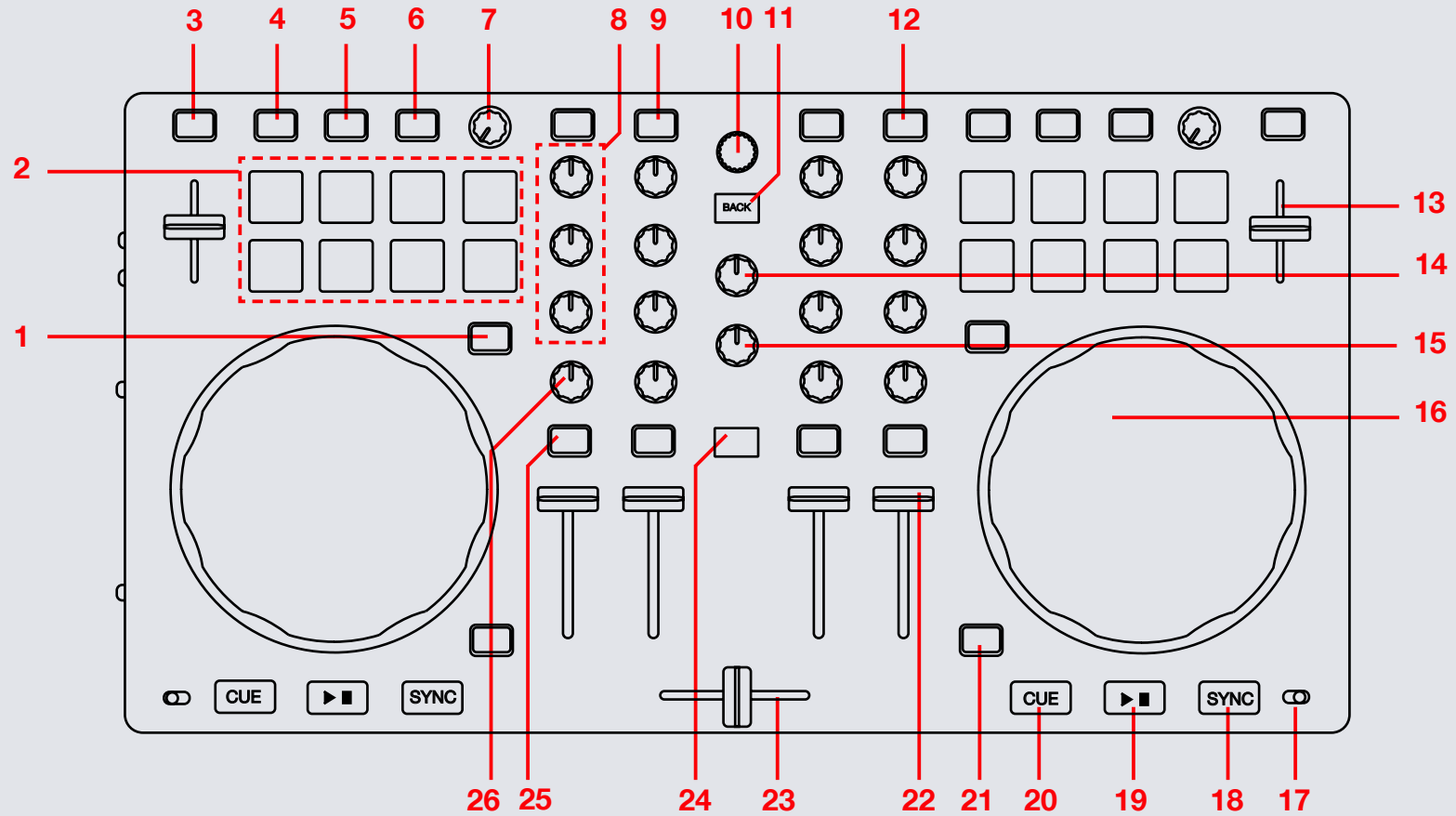
1. Download and install the latest version of Serato DJ Intro from <http://serato.com/dj-intro/downloads>
2. After installing drivers, connect your Slate to an available USB Port.
3. Open Serato DJ Intro.
4. The Slate platters require a few touches by the user in order to calibrate to their environment. After power up and start of Serato DJ Intro, tap the platters a few times to set their sensitivity.

serato



DJ INTRO

Controller



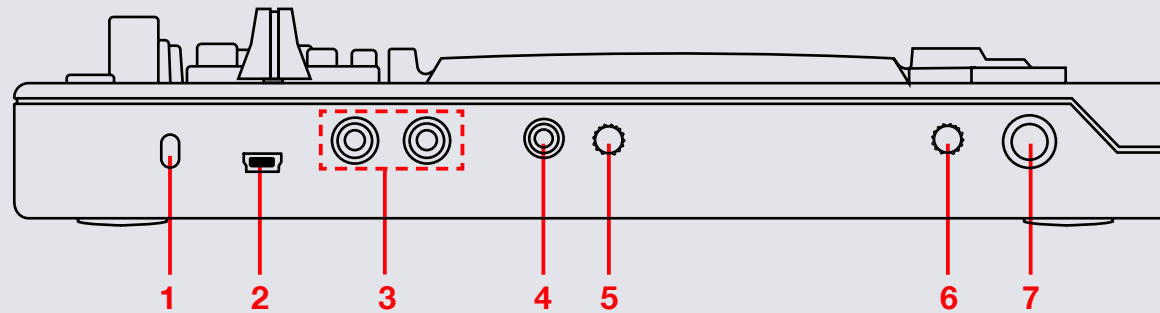
NOTE: SHIFT button is used with other buttons that have shift modifier functions.

#	Slate Control	Serato DJ Intro Function	Shift Function
1	PAD MODE	Change Performance Pad mode	
2	PERFORMANCE PADS	SEE PERFORMANCE PAD SECTION FOR MORE INFORMATION	
3	KEY LOCK	Enables Serato DJ Intro keylock	Toggle available pitch range
4	FX 1	Turn FX slot on	Select slot effect
5	FX 2	Turn FX slot on	Select slot effect
6	FX 3	Turn FX slot on	Select slot effect
7	LEVEL	Adjust FX depth level	Adjust beat multiplier timing
8	LOAD A	Load highlighted track to deck A	
9	CHANNEL EQ	Adjust Channel EQ	
10	BROWSE	Browse library and Serato DJ Intro areas	
11	BACK	Toggle back to crate view or library	
12	LOAD B	Load highlighted track to deck B	
13	TEMPO FADER	Adjust track tempo	
14	MASTER VOL	Adjust master output volume	
15	CUE VOL	Adjust cue output volume	
16	PLATTER/JOG WHEEL	Used to control the waveform of the track in Serato DJ Intro	Beat skip
17	SYNC	Enables Sync	Turn Sync Off
18	PLAY/PAUSE	Play/Pause	
19	CUE	Play from Temporary Cue	Stutter Play/Cue previous track
20	VINYL	Enable vinyl/scratch jog mode	Enable Slip
21	CHANNEL FADER	Control channel volume	
22	CROSSFADER	Crossfade audio between channels	
23	SHIFT	Shift is used with other controls that have SHIFT modifier functions	
24	CHANNEL CUE	Monitor track channel through headphones	
25	FILTER	Channel LP/HP filter	

serato



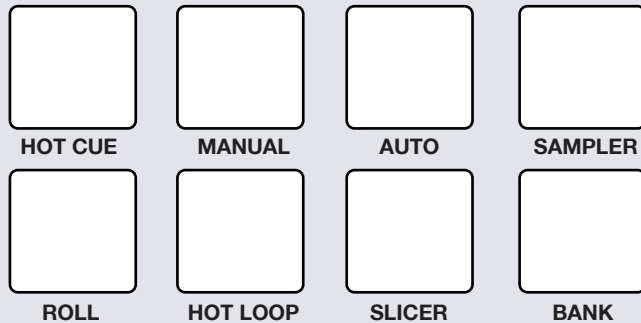
DJ INTRO



NOTE: SHIFT button is used with other buttons that have shift modifier functions.

#	Slate Control	Serato DJ Intro Function
1	KENSINGTON LOCK	Use to secure your controller. (Kensington Lock not included)
2	USB	Connect the Gemini Slate to your computer via USB cable
3	MASTER	Master RCA output to speakers
4	HEADPHONES	1/8" headphone output
5	CUE MIX	Adjust Cue/PGM mix
6	MIC VOL	Adjust Mic volume
7	MIC	1/4" MIC input

Performance Pads



The performance pads have four different modes you can select. **HOT CUE**, **MANUAL**, **AUTO**, **SAMPLER**. The other four pad modes are not available in Serato DJ Intro (**ROLL**, **HOT LOOP**, **SLICER**, and **BANK**).

- **HOT CUE Mode:**
Press pads 1-5 to add/trigger cue points. Holding SHIFT and pressing pads 1-5 will delete cue points. Pads 6-8 are not used.
- **MANUAL Mode:**
Use this mode to set manual loops. Pressing pad 1 will start set a Manual Loop In point, pad 2 will set the Loop Out point. If the loop is active hitting pad 1 or 2 will let you adjust the In/Out points of the loop. Pad 3 will turn loop ON/OFF. Pad 4 will half the current loop size. Pad 7 will turn the Loop On/Off and Retrigger the loop and Pad 8 will double the current loop, Pads 5 and 6 are not used.
- **AUTO Mode:**
In **AUTO** mode, pressing pads 1-8 will activate Auto Loops of different sizes. Press pad again to turn loop off.

- **SAMPLER Mode:**
Trigger samples using pads 1-4. Pads 5-8 are not used.
- **ROLL Mode**
Not available in Serato DJ Intro
- **HOT LOOP Mode**
Not available in Serato DJ Intro
- **SLICER Mode**
Not available in Serato DJ Intro
- **BANK Mode**
Not available in Serato DJ Intro

DJ-FX

The Gemini Slate has 3 FX buttons for each deck. Pressing these will turn the FX on for that slot and the depth/effect parameter can be controlled using the platter of the controller.

Slate Control	FX Control	Shift
FX 1	Slot 1 Effect On/Off	Select slot effect
FX 2	Slot 2 Effect On/Off	Select slot effect
FX 3	Slot 3 Effect On/Off	Select slot effect
Level	Adjust all FX level	Adjust Beats Multiplier

The effect time is set using the tracks BPM value, but by applying the Beats Multiplier you can increase or decrease the effect timing.


Looping


You have the choice of Auto or Manual Looping within Serato DJ Intro with the Gemini Slate. In **AUTO** pad mode, pressing pads 1-8 will activate Auto Loops of different sizes. Press pad again to turn loop off. Manual looping details are listed below. **SEE PERFORMANCE PADS FOR MORE INFORMATION**

Slate Control	Manual Loop Mode
Pad 1	Set Manual loop in point (Loop not active) Adjust loop in point (Loop active)
Pad 2	Set Manual loop out point (If loop in point is set) Adjust loop out point (Loop active)
Pad 3	Exit Loop (Loop Active) Loop on (Loop not active)
Pad 4	Press to halve the loop length (1/2)
Pad 5	N/A
Pad 6	N/A
Pad 7	Turn Loop On/Off / Retrigger Loop
Pad 8	Press to double the loop length (x2)

NOTE: The best way to edit the in and out points of a manual loop is with the jog wheel/platter on your Slate.

Using the Tool Tips

Click on the  icon to enable Tool Tips. This is located next to the setup button in the top right hand corner of the screen. Tool Tips provide a handy way to learn the various features of Serato DJ Intro

Move the mouse over a section of the screen to bring up a context sensitive tool tip. Holding the mouse over the  button with Tool Tips turned on will show you a list of all keyboard shortcuts.

For more information about how to use Serato DJ Intro, please go to our website www.serato.com or refer to the Serato DJ Intro Software Manual. For more information on your controller, please refer to the hardware manual.

For further help, please contact support@serato.com or go to www.serato.com/dj-intro/support

serato



DJ INTRO