

QUICK-START GUIDE

PIONEER

CDJ-900

serato



Installation and Setup

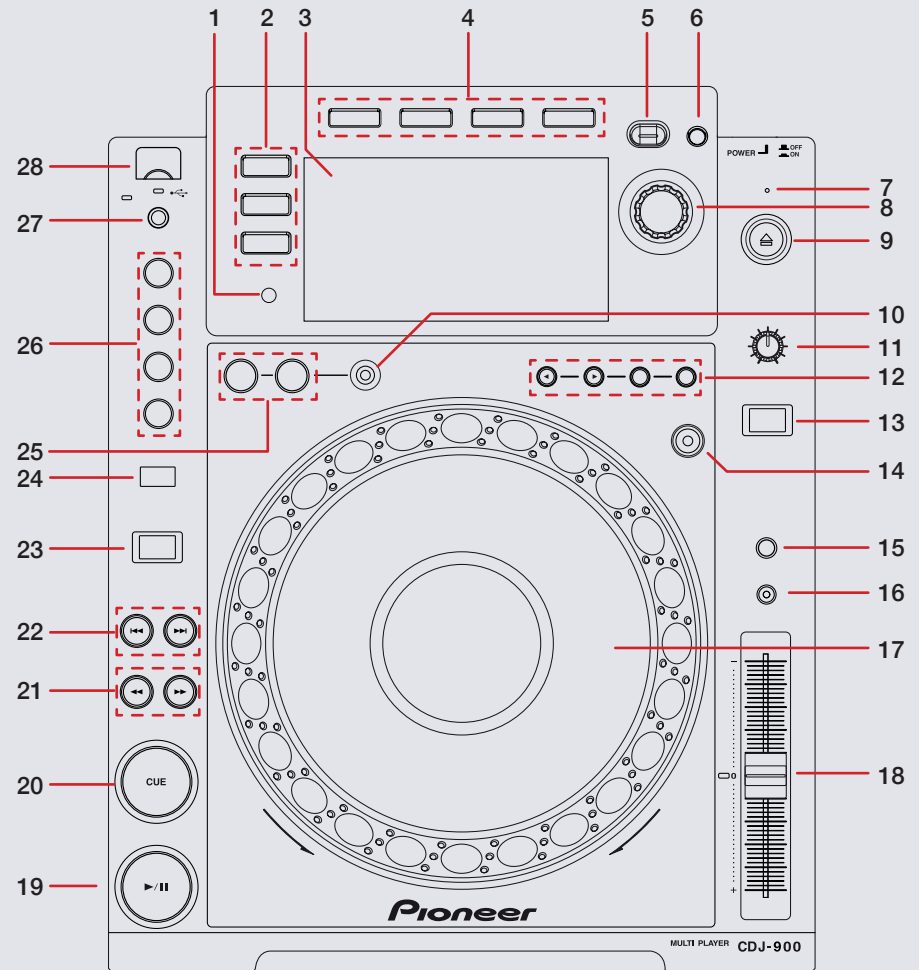
The Pioneer CDJ-900 is a class compliant USB plug and play device for Mac, but requires drivers for Windows. You will find these on the installation CD that is provided with your CDJ-900, or as a download from the [Pioneer website](#).

To use a pair of CDJs with Serato DJ, you will need at least 3 available USB ports. If you don't have 3 ports available you may be able to connect your CDJs to a powered USB hub. It is however, important to always connect your Serato DJ hardware directly to your computer.

Please also ensure you have also installed the latest available version of [Serato DJ](#).

1. Connect your Serato DJ hardware as per normal into an available USB port on your computer.
2. Connect the CDJ to your computer via USB cable or USB hub.
3. Open Serato DJ.
4. Press the LINK button on the CDJ-900.
5. Press the Scroll Knob to connect to the computer.
6. Use the Scroll Knob to choose which virtual deck you wish the CDJ-900 to control.
7. Set the virtual deck in Serato DJ to Internal mode (INT).

Your CDJ-900 can also be used to play regular CDs. To do this just connect the CDJs audio outs (RCA) to your Serato DJ hardware as you would your regular CD players.



serato



#	CDJ-2000 Control	Function
1	TIME MODE/AUTO CUE	Toggle between time elapsed/remaining on the CDJ screen
2	LINK/USB/DISC	LINK to play via HID mode, USB to play via flash drive, DISC to play via CD
3	SCREEN	Displays library/crate information, track time and BPM etc
4	BROWSE/TAG LIST/INFO/MENU	Toggles information that is displayed on the screen
5	BACK	Toggles between Library and Crates
6	TAG TRACK/REMOVE	Add selected track to Prepare panel
7	STANDBY	Not mapped
8	SCROLL KNOB	Scrolls through library. Push the scroll knob to load selected track
9	DISC EJECT	Eject a track from the selected virtual deck
10	RELOOP/EXIT	Reloop/Exit Loop (Loop Active)
11	TOUCH/RELEASE	Turn to adjust start & stop time
12	CALL/DELETE/MEMORY	CALL browses through loop slots, DELETE deletes selected loop, MEMORY Lock's Loop
13	JOG MODE	Toggles between jog or scratch mode for jog wheel
14	SLIP	Toggles slip mode on/off
15	TEMPO	Cycle through available tempo ranges
16	MASTER TEMPO	Keylock On/Off
17	JOG WHEEL	Touch the top to scratch or jog. Moving the outside of the wheel will jog
18	TEMPO FADER	Adjust Tempo
19	PLAY / PAUSE	Play/Pause track
20	CUE	Works as CDJ style cue button for setting and jumping to temporary cue
21	SEARCH	Fast Forward/Rewind
22	TRACK SEARCH	Load Next Track/Previous Track
23	DIRECTION	Changes track play direction
24	BEAT SELECT	Changes loop range for AUTO BEAT LOOP buttons

#	CDJ-2000 Control	Function
25	IN/OUT LOOP	Manually set IN and OUT points of loops. Press again to adjust
26	AUTO BEAT LOOP	Each button will activate an auto loop of different length
27	USB STOP	Not Mapped
28	USB	Insert drive here if you wish to play tracks off a USB flash drive


MIDI


The MIDI control feature in Serato DJ provides the ability to map Serato DJ software functions to MIDI controller functions such as keyboards, triggers, sliders, and knobs. Integrating MIDI controllers into your Serato DJ setup can improve live performance usability, such as hitting pads on a MIDI controller to trigger Loops or Cue Points. Buttons marked as 'MIDI mappable' can be MIDI mapped to the Serato DJ function of your choice.

For further information on how to MIDI map Serato DJ software functions, download the Serato DJ manual.

NOTE : You can not change the functionality of other buttons by using the MIDI control feature.

Using the Tool Tips

Click on the  icon to enable Tool Tips. This is located in between the MIDI and setup button in the top right hand corner of the screen. Tool Tips provide a handy way to learn the various features of Serato DJ.

Move the mouse over a section of the screen to bring up a context sensitive tool tip. Holding the mouse over the  button with Tool Tips turned on will show you a list of all keyboard shortcuts.

For more information about how to use Serato DJ, please go to our website www.serato.com or download the Serato DJ Manual.

For more information on your CDJ-900, please refer to the Pioneer CDJ-900 manual.

For further help, please contact support@serato.com or go to <http://serato.com/dj/support>

serato

