

QUICK-START GUIDE

RELOOP RP-8000

serato



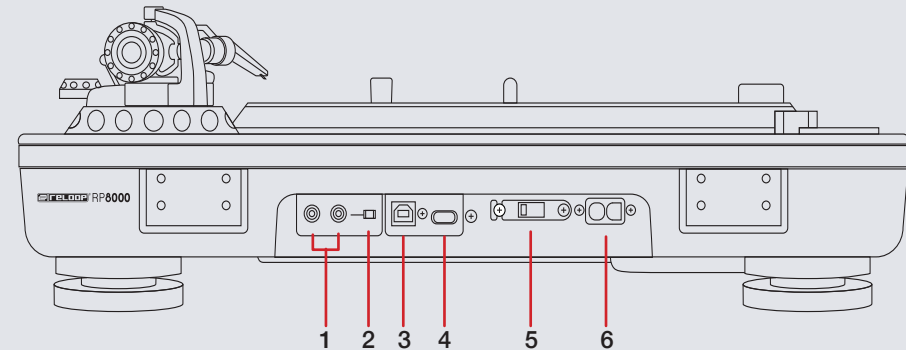
DJ

Installation And Setup

The Reloop RP-8000 is a class compliant USB plug and play device and requires no further driver installation.

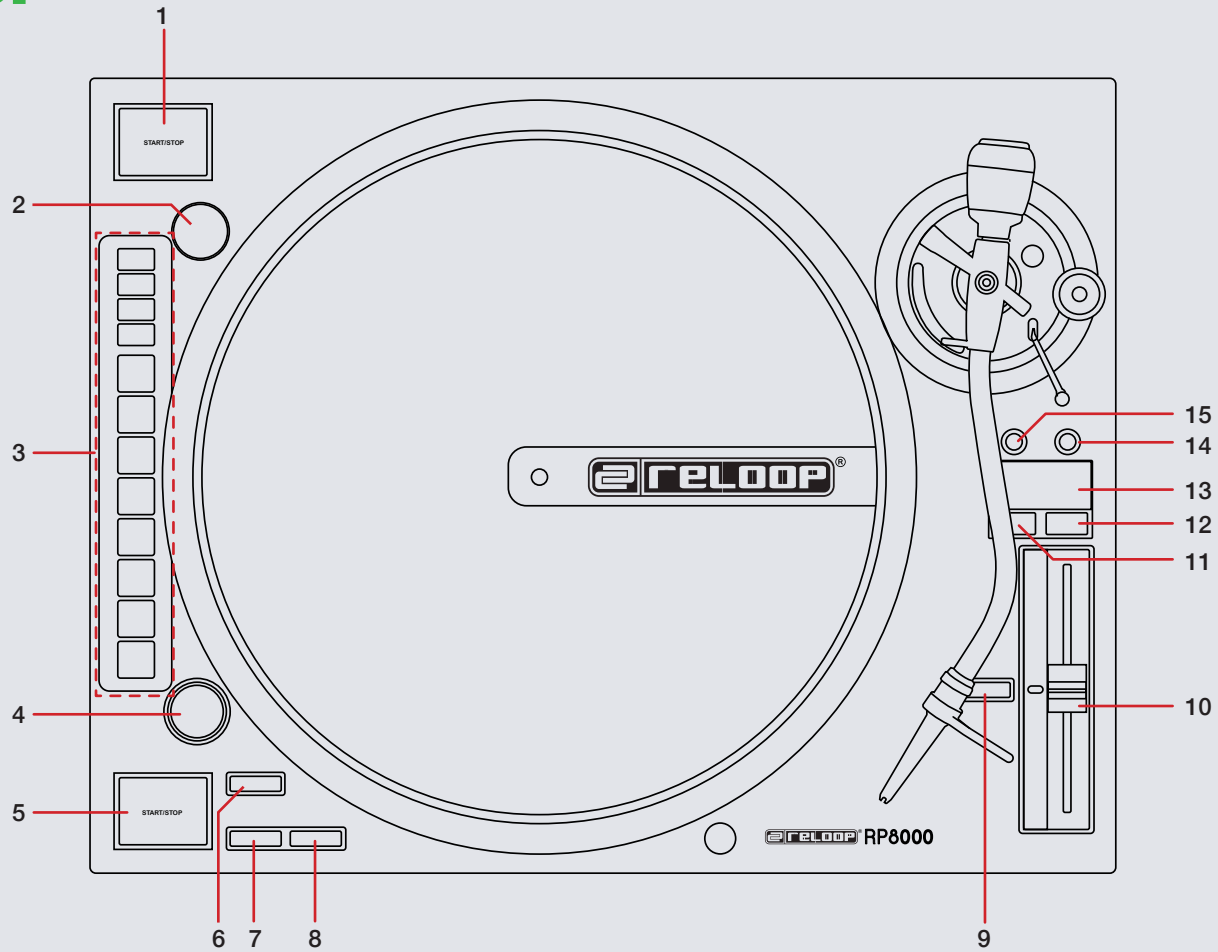
NOTE: The Reloop RP-8000 is an additional controller that will only work in addition to supported Serato DJ hardware. Click here to see a list of supported Serato DJ hardware.

- Download and install the latest version of Serato DJ from <http://serato.com/dj/downloads>
- Connect your supported Serato DJ hardware to a USB port.
- Connect your Reloop RP-8000 to an available USB Port.
- Open Serato DJ.



#	Reloop RP-8000 control	Function
1	PHONO/LINE	Use standard RCA cables to connect this output to a mixer or audio interface
2	PH/LN	Toggle between phono and line level output
3	USB	Connect USB cable to this port from computer or from master RP-8000
4	TT LINK	Use a USB A to USB B cable to connect a second RP-8000. You can connect up to 4 RP-8000's in this way
5	230V/115V	Toggle voltage setting between 230v & 115v
6	AC IN	Use the included power cable to connect to a power outlet

Controller



#	Reloop RP-8000 Control	Function
1	START/STOP	Press to Start/Stop the platter
2	TRAX/BROWSER	Turn to browse through currently focused area (library/crates/open panels). Click once to load track to deck. Hold down to toggle focus between Library and Crates. Double Tap for instant doubles.
3	PERFORMANCE PADS	See performance pads section for more information on this section.
4	POWER	Toggle power ON/OFF
5	START/STOP	Press to Start/Stop the platter
6	REVERSE	Press to toggle play direction of the platter
7	33	Press to change platter rotation speed to 33RPM. Press in conjunction with the "45" button to change the platter rotation speed to 78RPM.
8	45	Press to change platter rotation speed to 45RPM. Press in conjunction with the "33" button to change the platter rotation speed to 78RPM.
9	QUARZLOCK	Press to lock pitch at +/- 0% regardless of pitch fader position
10	PITCH FADER	Move to adjust the pitch of the platter
11	+/- 8	Change pitch range to +/- 8%. Press in conjunction with the "+/- 16" button to change the pitch range to +/-50%
12	+/- 16	Change pitch range to +/- 16%. Press in conjunction with the "+/- 8" button to change the pitch range to +/-50%
13	LCD DISPLAY	Shows pitch information and used when selecting active deck
14	START/BRAKE	Turn to adjust the start and stop time of the platter
15	TORQUE	Turn to adjust the torque of the turntable


Performance Pads


The performance pads have 4 different basic modes you can select. The modes are; Hot Cue, Auto Loops, Sampler and User.

- **HOT CUE Mode:** Press “CUE” to activate this mode. When pressing performance pads 1-8 you can add and trigger up to 8 Cue Points.
- **LOOP Mode:** Press “LOOP” to activate this mode. When pressing buttons 1-8 you can activate an Auto Loop. The Loop Length ranges from 1/4 to 32 bars.
- **SAMPLER Mode:** Press “SAMPLER” to activate this mode. Pads 1-6 Trigger Samples loaded in your Sample Banks.
- **SLICER Mode:** Press “USER” to activate “SLICER MODE”. A specified range (or domain) is divided into eight equal sections, and these eight sliced sections are assigned to the respective pads. Pads 1-8 will allow you to trigger each slice. Holding the USER button while using Pads 1 & 2, adjusts Quantization of the slicer function. The quantization can be set to: 1/8, 1/4, 1/2 and 1 beat/s. Holding the USER button while using Pads 7 & 8, adjusts the Domain. The domain can be set to: 2 beats, 4 beats, 8 beats, 16 beats, 32 beats or 64 beats.

You can also combine modes and use two functions at once by pressing CUE and LOOP, LOOP and SAMPLE or CUE and SAMPLE at the same time. The 8 pads will be divided with 4 pads for one function and 4 for another.

Using the Tool Tips

Click on the  icon to enable Tool Tips. This is located in between the MIDI and setup button in the top right hand corner of the screen. Tool Tips provide a handy way to learn the various features of Serato DJ.

Move the mouse over a section of the screen to bring up a context sensitive tool tip. Holding the mouse over the  button with Tool Tips turned on will show you a list of all keyboard shortcuts.

[For more information about how to use Serato DJ, please go to our website www.serato.com](http://www.serato.com) or refer to the [Serato DJ Software Manual](#).

[For more information on your controller, please refer to the hardware manual.](#)

For further help, please contact support@serato.com or go to www.serato.com/dj/support

serato

