

QUICK-START GUIDE

PIONEER CDJ-2000

serato



Installation and Setup

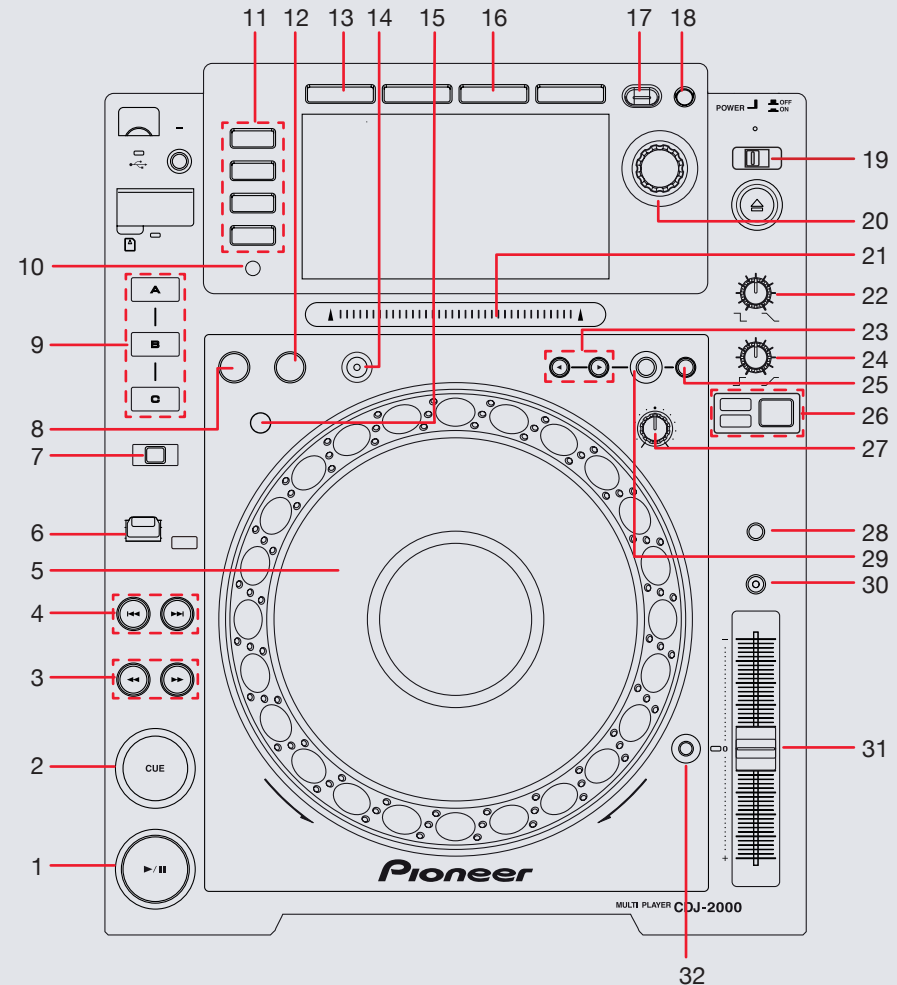
The Pioneer CDJ-2000 is a class compliant USB plug and play device for Mac, but requires drivers for Windows. You will find these on the installation CD that is provided with your CDJ-2000, or as a download from the [Pioneer website](#).

To use a pair of CDJs with Serato DJ, you will need at least 3 available USB ports. If you don't have 3 ports available you may be able to connect your CDJs to a powered USB hub. It is however, important to always connect your Serato DJ hardware directly to your computer.

Please also ensure you have also installed the latest available version of [Serato DJ](#).

1. Connect your Serato DJ hardware as per normal into an available USB port on your computer.
2. Connect the CDJ to your computer via USB cable or USB hub.
3. Open Serato DJ.
4. Press the **LINK** button on the CDJ-2000.
5. Press the Scroll Knob to connect to the computer.
6. Use the Scroll Knob to choose which virtual deck you wish the CDJ-2000 to control.
7. Set the virtual deck in Serato DJ to Internal mode (INT).

Your CDJ-2000 can also be used to play regular CDs. To do this just connect the CDJs audio outs (RCA) to your Serato DJ hardware as you would your regular CD players.



#	CDJ-2000 Control	Function
1	PLAY/PAUSE	Play/Pause track
2	CUE	Works as CDJ style cue button for setting and jumping to temporary cue.
3	SEARCH	Fast Forward/Rewind
4	TRACK SEARCH	Load Next Track/Previous Track
5	JOG WHEEL	Touch the top to scratch or jog. Moving the outside of the wheel will jog.
6	DIRECTION	Activates Censor
7	REC/CALL	Activates Hot Cue REC mode. Pressing the Hot Cue buttons will now add Cue Points or overwrite existing Cue Points at the current play position
8	IN	Set loop in point. (Press again to adjust the loop in point.)
9	HOT CUE A/B/C	Adds Cue Points if there are no Cue Points currently saved/Triggers existing Cue Points
10	TIME MODE	Toggle between time elapsed/remaining on CDJ display
11	SOURCE SELECT	Select between either LINK/USB/SD/DISC source
12	OUT	Sets loop out point. (Press again to adjust the loop out point.)
13	BROWSE	Browse through Library
14	RELOOP/EXIT	Re loop/Exit Loop (Loop Active)
15	BEAT LOOP	Activates currently highlighted Saved Loop
16	INFO	Displays track information
17	BACK	Toggles between Library and Crates
18	TAG TRACK/REMOVE	Add currently selected track to Prepare Panel
19	UNLOCK LOCK	Not mapped
20	SCROLL KNOB	Scrolls through library. Push the scroll knob to load selected track
21	NEEDLE SEARCH	When track is paused or platter is held, touch the needle search strip to scroll through track
22	TOUCH/BRAKE ADJUST	Adjust braking speed
23	CUE/LOOP CALL	Select Loop Slot
24	RELEASE/START ADJUST	Adjust starting speed

25	MEMORY	Not used
26	JOG MODE	Toggles between jog or scratch mode for jog wheel
27	JOG ADJUST	Adjust platter sensitivity
28	TEMPO	Cycle through available tempo ranges
29	DELETE	Deletes current Loop
30	MASTER TEMPO	Keylock On/Off
31	TEMPO FADER	Adjust Tempo
32	TEMPO RESET	Reset Tempo to zero


MIDI


The MIDI control feature in Serato DJ provides the ability to map Serato DJ software functions to MIDI controller functions such as keyboards, triggers, sliders, and knobs. Integrating MIDI controllers into your Serato DJ setup can improve live performance usability, such as hitting pads on a MIDI controller to trigger Loops or Cue Points. Buttons marked as 'MIDI mappable' can be MIDI mapped to the Serato DJ function of your choice.

For further information on how to MIDI map Serato DJ software functions, [download the Serato DJ manual](#).

NOTE: You can not change the functionality of other buttons by using the MIDI control feature.

Using the Tool Tips

Click on the  icon to enable Tool Tips. This is located in between the MIDI and setup button in the top right hand corner of the screen. Tool Tips provide a handy way to learn the various features of Serato DJ.

Move the mouse over a section of the screen to bring up a context sensitive tool tip. Holding the mouse over the  button with Tool Tips turned on will show you a list of all keyboard shortcuts.

For more information about how to use Serato DJ, please go to our website www.serato.com or download the [Serato DJ Manual](#). For more information on your CDJ-2000, please refer to the [Pioneer CDJ-2000 manual](#).

For further help, please contact support@serato.com or go to <http://serato.com/dj/support>

serato

