



Numark Mixstream Pro Go Quick-Start Guide

Setup

Serato software

The Numark Mixstream Pro Go is a “Serato DJ Lite hardware unlocked” device, meaning it works with Serato DJ Lite out of the box.

It is also a “paid upgrade to Serato DJ Pro device”, meaning it requires the purchase & activation of a Serato DJ Pro license, in order to be used with Serato DJ Pro.

You can also try Serato DJ Pro, before making a purchase:

[Click here to learn about buying or activating Serato DJ Pro](#)

or

[Click here to learn about trying Serato DJ Pro](#)


Please ensure you have the latest version of Serato DJ Pro installed:

[Click here to download Serato DJ Pro](#)

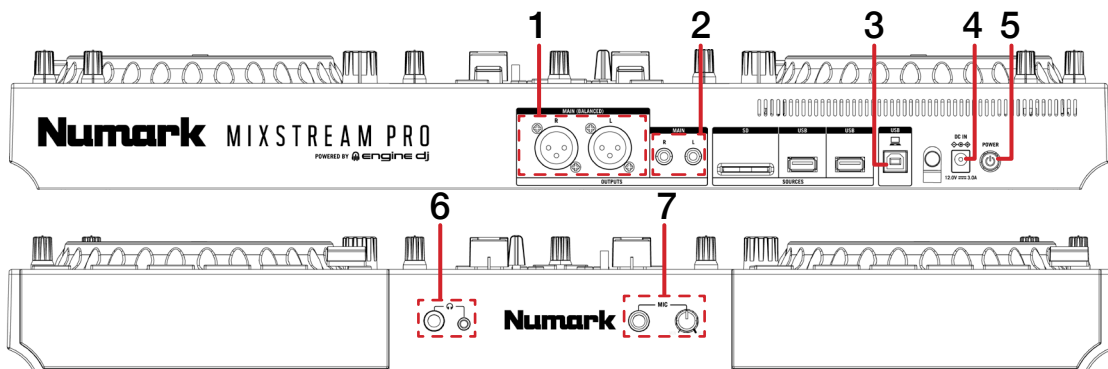
Driver software

The Numark Mixstream Pro Go is class compliant on macOS but does require manufacturer specific drivers when used with Windows operating systems. Download and install the Windows driver via [Numark's website](#).

Then connect your Mixstream Pro Go with a USB cable to your computer, and launch the latest version of Serato DJ Pro, and follow the steps below:

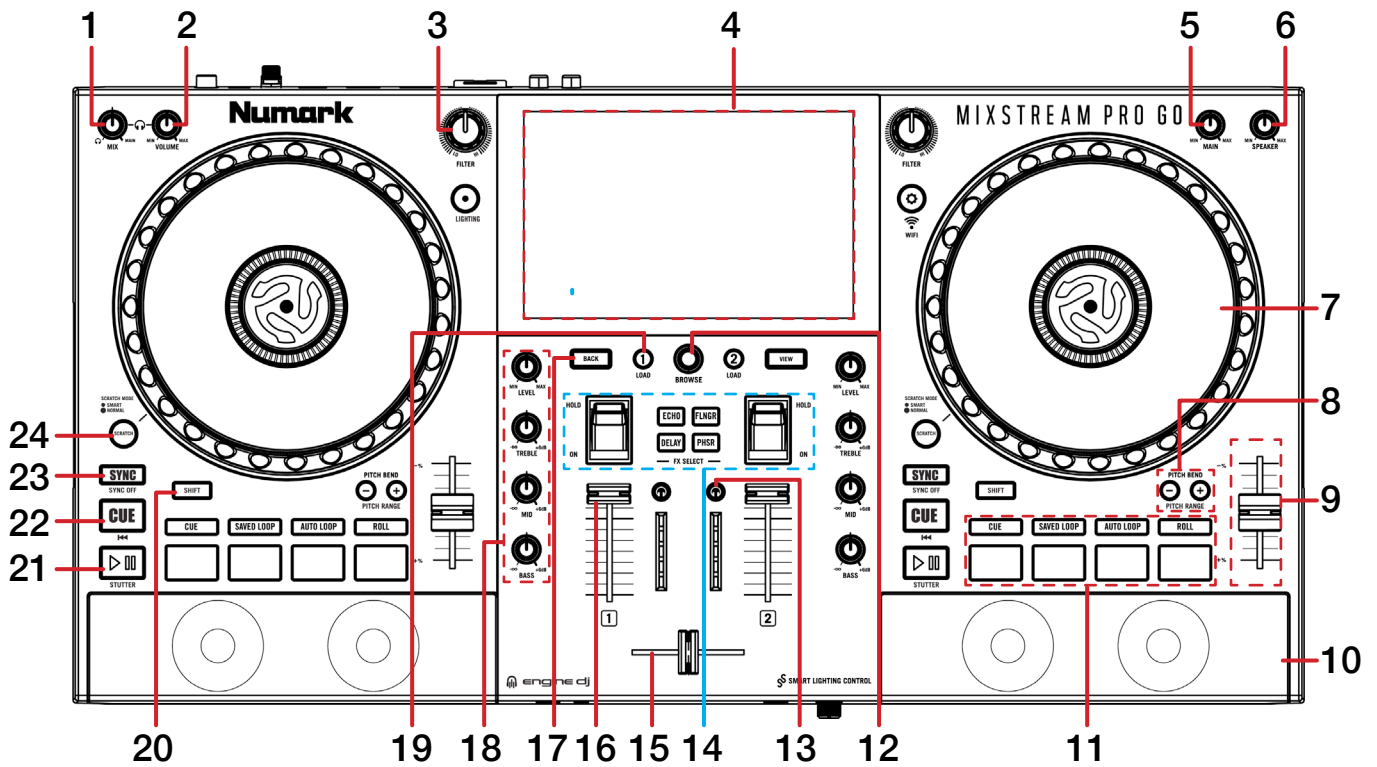
1. Connect the device via USB cable to your PC, power it on, and launch Serato DJ Pro
2. Once the device has booted, swipe down from the top of the LCD display on the device, and tap **SOURCE**
3. Tap the computer/laptop button  then tap **YES** when prompted to restart the player into **Computer Mode**

Overview



#	MIXSTREAM PRO GO CONTROL	FUNCTION
1	MAIN (BALANCED)	Connect audio output via XLR
2	MAIN	Main audio output via RCA
3	USB	Connect USB cable to computer
4	DC IN	Connect included AC adapter to power source
5	POWER	Press to power on / off device
6	HEADPHONES	Connect headphones via 3.5mm or 6.5mm jack
7	MIC	Connect microphone & adjust microphone gain

Overview



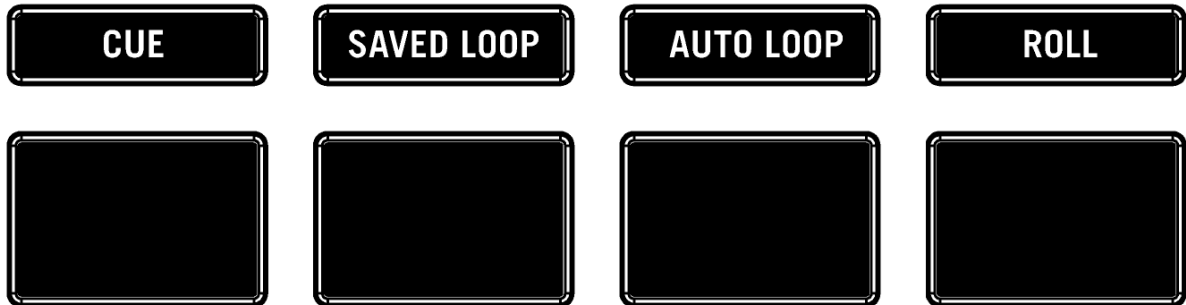
#	MIXSTREAM PRO GO CONTROL	FUNCTION	SHIFT FUNCTION
1	MIX	Adjust headphone between mix and headphone cue	-
2	VOLUME	Adjust headphone volume	-
3	FILTER	Turn left for low pass filter or right for high pass filter, per deck	-
4	DISPLAY	Shows track, library & waveform information	-
5	MAIN	Adjust main output volume	-
6	SPEAKER	Adjust built-in speaker volume	-
7	JOG WHEEL	Turn jog to bend pitch, or control waveform within Serato DJ in vinyl mode	Fast track waveform scroll
8	PITCH BEND + / -	Press + or - to bend pitch of playing track	Toggle tempo range up (+) or down (-)
9	TEMPO SLIDER	Adjust tempo/pitch	Ignore tempo/pitch adjustment
10	BUILT-IN SPEAKER	Built-in speaker. Use Speaker control to adjust volume	-
11	PERFORMANCE PADS (SECTION)	SEE PERFORMANCE PADS FOR MORE INFORMATION	-
12	BROWSE	Turn to scroll library. Press in to toggle forward between crate & track area	Fast Library scroll. Press in to toggle backward between crate & track area
13	CHANNEL CUE	Toggle channel cue for monitoring	-
14	FX (SECTION)	Press FX Select button to load labelled FX to Slot 1, and set depth to 60%. Pull FX lever to ON to turn on FX, or pull it to HOLD to momentarily turn on FX. Left lever is for FX Unit 1 and right lever is for FX Unit 2.	-

Overview

#	MIXSTREAM PRO GO CONTROL	FUNCTION	SHIFT FUNCTION
15	CROSSFADER	Crossfade audio between channel 1-2	Crossfader start
16	CHANNEL FADER	Adjust channel volume (per channel)	Channel fader start (per channel)
17	BACK	Press to cycle back between crate & track area	-
18	CHANNEL (SECTION)	Adjust level, and adjust EQ (Treble, Mid, Bass)	-
19	LOAD 1	Press to load selected track to Deck 1 (press LOAD 2 for Deck 2)	-
20	SHIFT	Shift modifier, which can be held while using another control for secondary SHIFT function	-
21	PLAY / PAUSE	Toggles Play / Pause on selected deck	Stutter play
22	CUE	Cues from temp cue point/Set temp cue point	Load previous track
23	SYNC	Press to turn SYNC on (per deck)	Press to turn SYNC off (per deck)
24	SCRATCH	Toggle vinyl or jog platter mode (per deck)	-

Performance Pads

The Numark Mixstream Pro Go comes with 4 performance pads, that can be used across 4 different performance pad modes.



The 4 modes can be triggered by pressing the performance pad mode button of the same name once, and consist of:

CUE mode: Press the **CUE** pad mode button to enter **CUE** mode. Pads 1-4 trigger Serato DJ Pro Cue points, and if no Cue point is present on that slot/pad, pressing that pad will set a Cue point. Holding down the **SHIFT** button while pressing a populated pad will delete the Cue point from the respective pad/slot.

MANUAL LOOP mode: Press the **SAVED LOOP** pad mode button to enter **MANUAL LOOP** mode. Press pad 1 to set the Loop In point, and press it again to edit the Loop In point. Press pad 2 to set the Loop Out point, and press it again to edit the Loop Out point. Press pad 3 to turn the Loop on or off, and press pad 4 to trigger a Reloop or Exit an active Loop.

AUTO LOOP mode: Press the **AUTO LOOP** pad mode button to enter **Auto Loop** mode. In this mode pads 1-4 trigger an Autoloop of varying sizes. Press the same pad for a second time to exit an Auto Loop.

LOOP ROLL mode: Press the **ROLL** pad mode button to enter **Loop Roll** mode. Holding Pads 1-4 activate a loop roll of varying sizes. Release the pad to exit the Loop Roll.

MIDI

The MIDI feature in Serato DJ Pro provides the ability to remap Serato DJ Pro software functions to your primary Serato controller, interface or mixer. You can also assign controls to a secondary MIDI controller to further enhance your performance.

[For more information on MIDI mapping with Serato DJ Pro click here](#)

To remap your supported Serato device, open the SETUP screen and click the MIDI tab. If your Serato device supports hardware remapping, it will show up in the MIDI Devices list at the top.

Select your connected device from the MIDI Devices list and make sure the “Allow Serato Hardware Remapping” option is checked.

Allow Serato Hardware Remapping

Once checked, the MIDI assign button at the top of the screen will become available for you to start remapping.

You can save, edit or delete MIDI presets in the MIDI tab of the SETUP screen. Clicking ‘Restore Defaults’ will erase any custom mappings for all connected devices and revert their functions back to default.

Help

Show Tooltips

Click on the **Help** button in the upper right-hand corner of Serato DJ Pro, then **Show tooltips** to enable tooltips. Tool tips provide a handy way to learn the various features of Serato DJ Pro.

Move the mouse over a section of the screen to bring up a context sensitive tool tip.

Watch Tutorials

Click on the **Help** button in the upper right-hand corner of Serato DJ Pro, then **Watch tutorials** to launch your default internet browser and watch tutorials, to help you get familiar with Serato DJ Pro.

Get Support

Click on the **Help** button in the upper right-hand corner of Serato DJ Pro, then **Get support** to launch your default internet browser and navigate to the Serato DJ Pro knowledge base, where you can find helpful articles and guides on Serato DJ Pro. Alternatively, type in the **Go** box, with keywords, to search the Serato DJ Pro knowledge base for specific, related topics.