



# Mixars Primo Quick-Start Guide

# Setup

## Serato Software

The Mixars Primo is a “Serato DJ Pro hardware unlocked” device, meaning it works with Serato DJ Pro out of the box.

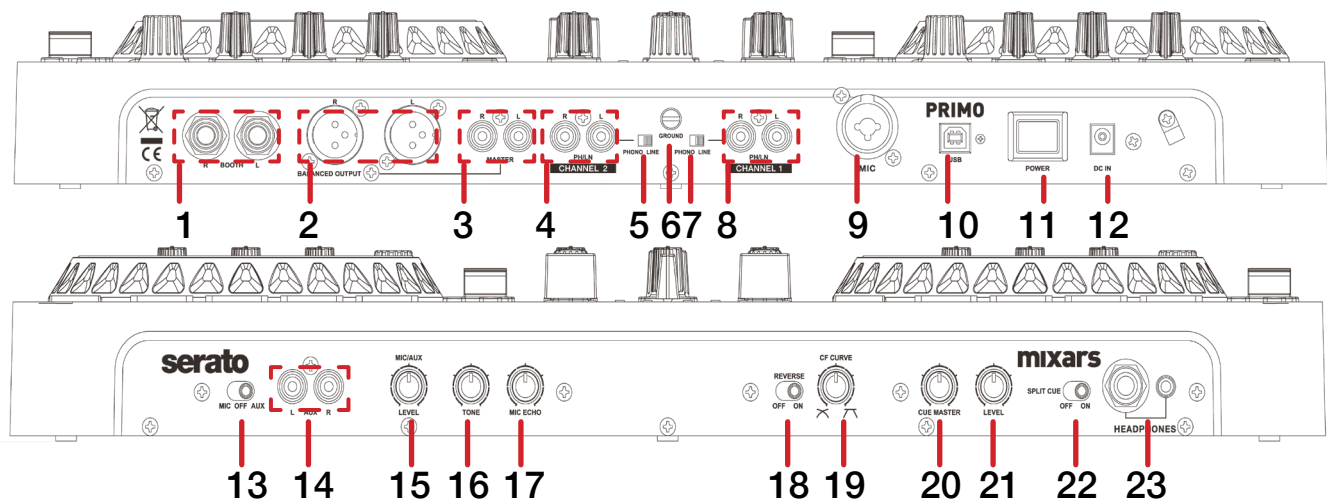
**Please ensure you have the latest version of Serato DJ Pro installed:**

[Click here to download Serato DJ Pro](#)

## Driver Software

The Mixars Primo requires manufacturer specific drivers on both Mac & Windows operating systems. Connect the device to your computer, open Serato DJ Pro - and when prompted, click “Install Driver”.

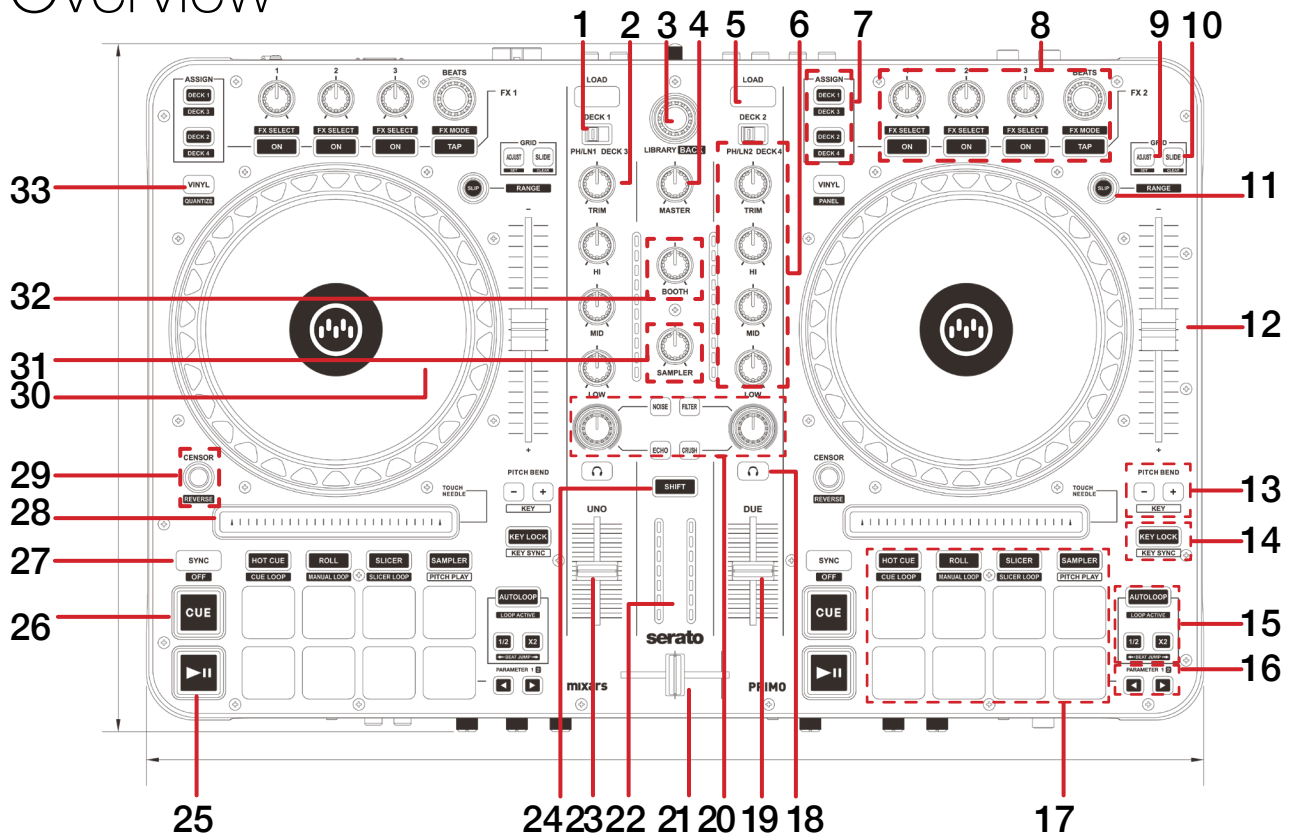
## Overview



| #  | MIXARS PRIMO CONTROL | FUNCTION                               |
|----|----------------------|--|
| 1  | BOOTH                | Booth 1/4" output                      |
| 2  | MASTER 1             | XLR Master output                      |
| 3  | MASTER 2             | RCA Master output                      |
| 4  | CH2 LINE/PHONO       | Channel 2 RCA input                    |
| 5  | LINE/PHONO SWITCH    | Toggle LINE/PHONO for CH2              |
| 6  | GROUNDING POST       | Connect grounding wire                 |
| 7  | LINE/PHONO SWITCH    | Toggle LINE/PHONO for CH1              |
| 8  | CH1 LINE/PHONO       | Channel 2 RCA input                    |
| 9  | MIC IN               | XLR & 1/4" microphone input            |
| 10 | USB INPUT            | Connect USB cable from PC to USB INPUT |
| 11 | POWER SWITCH         | Turn device on                         |
| 12 | DC IN                | DC power input                         |

| #  | MIXARS PRIMO CONTROL | FUNCTION                                    |
|----|----------------------|---|
| 13 | MIC / OFF / AUX      | Mic / Aux toggle                            |
| 14 | AUX IN               | Auxiliary input                             |
| 13 | MIC / AUX LEVEL      | Adjust MIC / AUX Gain                       |
| 14 | MIC / AUX TONE       | Adjust MIC / AUX Tone                       |
| 15 | MIC / AUX ECHO       | Adjust MIC / AUX Echo                       |
| 16 | REVERSE ON / OFF     | Crossfader Reverse On / Off switch          |
| 17 | CROSS FADER CURVE    | Adjust crossfader curve                     |
| 18 | HEADPHONE MIX        | Adjust headphone mix between CUE and MASTER |
| 19 | HEADPHONE LEVEL      | Adjust headphone gain                       |
| 20 | SPLIT CUE ON / OFF   | Split Cue On / Off switch                   |
| 21 | HEADPHONE OUTPUT     | 1/4" / 1/8" Headphone output                |

# Overview



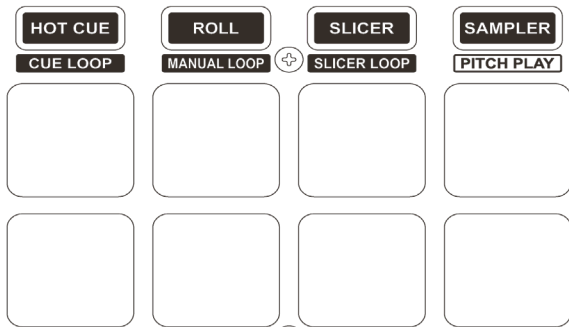
| #  | MIXARS PRIMO CONTROL | FUNCTION   | SHIFT FUNCTION                                     |
|----|----------------------|--|--|
| 1  | SOURCE/INPUT SELECT  | Toggle between sources per deck  |  |
| 2  | TRIM                 | Channel Trim / Gain  |  |
| 3  | LIBRARY SCROLL       | Library Scroll. Press to toggle between track and crate selection.                     | Toggle back through Serato DJ Pro areas            |
| 4  | MASTER LEVEL         | Adjust Master output level   |  |
| 5  | LOAD                 | Load selected track to deck. Press twice to instant double                             |  |
| 6  | EQ                   | Channel EQ Controls  |  |
| 7  | DECK ASSIGN          | Deck 1 + 2 Assign  | Deck 3 + 4 Assign                                  |
| 8  | FX SECTION           | Control FX<br><i>SEE FX FOR MORE INFORMATION</i>                                       |  |
| 9  | BEAT GRID CONTROLS   | Adjust Beat Grid   | Set Beat Grid                                      |
| 10 | BEAT GRID CONTROLS   | Slide Beat Grid  | Clear Beat Grid                                    |
| 11 | SLIP                 | Toggle Slip mode on selected deck  | Change BPM Range                                   |
| 12 | TEMPO SLIDER         | Adjust tempo/pitch   | Ignore adjustment (if sync is enabled)             |
| 13 | PITCH BEND           | Pitch Bend Up / Down   | Key Shift Up / Down                                |
| 14 | KEY LOCK             | Toggle Keylock   | Toggle Key Sync                                    |
| 15 | AUTO LOOP            | Engage autoloop, and 1/2x or 2x loop length<br><i>SEE LOOPING FOR MORE INFORMATION</i> | Re-loop/Exit loop, or Beat Jump forward / backward |
| 16 | PARAMETER 1 / 2      | Adjust Parameter 1 in Performance pad modes  | Adjust Parameter 2                                 |
| 17 | PERFORMANCE PADS     | <i>SEE PERFORMANCE PADS FOR MORE INFORMATION</i>                                       |  |
| 18 | CHANNEL CUE          | Press to cue channel for monitoring in headphones                                      |  |
| 19 | RIGHT CHANNEL FADER  | Adjust right channel volume  | Channel Fader start                                |
| 20 | HARDWARE FX          | Noise / Filter / Echo / Crush, FX amount   |  |

# Overview

| #  | MIXARS PRIMO CONTROL      | FUNCTION   | SHIFT FUNCTION  |
|----|---------------------------|--|---|
| 21 | CROSSFADER                | Crossfade audio between channel A-B                            |   |
| 22 | MASTER METER              | Master meter for left and right channels                       |   |
| 23 | LEFT CHANNEL FADER        | Adjust right channel volume                                    | Channel Fader start   |
| 24 | SHIFT                     | Used with other controls that have SHIFT modifier function     |   |
| 25 | PLAY/PAUSE                | Toggles Play/Pause on selected deck                            |   |
| 26 | CHANNEL CUE               | Cues from temp cue point/Set temp cue point                    |   |
| 27 | SYNC                      | Turn Sync ON   | Turn Sync OFF   |
| 28 | NEEDLE SEARCH/TOUCH STRIP | Jump to track position   |   |
| 29 | CENSOR                    | Censors playing track  | Reverses playing track                                      |
| 30 | JOG WHEEL                 | Control waveform within Serato DJ in vinyl mode, or pitch bend | Fast waveform scroll in vinyl mode or aggressive pitch bend |
| 31 | SAMPLER VOLUME            | Adjust Sampler volume  |   |
| 32 | BOOTH MONITOR VOLUME      | Adjust Booth output volume                                     |   |
| 33 | VINYL                     | Toggle Vinyl mode  | Quantize On / Off   |

# Performance Pads

The Mixars Primo comes with 8 RGB performance pads, that can be used across 8 different performance pad modes.



These consist of:

**HOT CUE mode:** Pads 1-8 trigger Serato DJ Pro Cue points, and if no Cue point is present on that slot/pad, pressing that pad will set a Cue point. Holding SHIFT while pressing a pad will clear the Cue point from that pad/slot.

**CUE LOOP mode:** Hold SHIFT while pressing the HOT CUE mode button to enter CUE LOOP mode.

Pads 1-8 trigger Serato DJ Pro Cue points but also triggers an autoloop of variable sizes. If the selected slot has no Cue point present, one will be set. Pressing the same pad again will exit the autoloop; pressing another Pad while an autoloop is active will trigger an autoloop of the same length from this cue point. Holding SHIFT while pressing a pad will retrigger that Cue Loop. Use the Parameter left & right buttons to increase or decrease the loop size.

**SAVED FLIP mode:** A second press of the HOT CUE mode button will open SAVED FLIP mode. In this mode pads 1-8 trigger your saved flips. Select a saved flip using the highlighted pads, then hit play to trigger a flip. If the track loaded to deck is already playing, pressing a highlighted pad will trigger a flip immediately.

**ROLL (LOOP ROLL) mode:** In this mode holding pads 1-8 activates a loop roll of varying sizes. Release the pad to exit the Loop Roll. Use the 'Shift Autoloop range' controls in Serato DJ Pro to change ---the 8 selected loop size options.

**MANUAL LOOP mode:** Hold SHIFT while pressing the ROLL mode button to enter MANUAL LOOP mode.

[SEE LOOPING SECTION FOR MORE DETAILS](#)

**SLICER mode:** In this mode a specified range (or domain) is divided into eight equal sections, and these eight sliced sections are assigned to the respective performance pads (1-8), and can be triggered by pressing them. The domain shifts as the track duration elapses. Use the Parameter left & right buttons to decrease or increase the quantize size, or hold SHIFT while pressing them to decrease or increase the domain size.

**SLICER LOOP mode:** Same as Slicer mode, but uses a fixed Slicer Domain or "loop". Use the Parameter left & right buttons to decrease or increase the quantize size, or hold SHIFT while pressing them to decrease or increase the domain size.

**SAMPLER mode:** Press pads 1-8 to trigger samples loaded into the Serato DJ Pro Sampler. Hold SHIFT while pressing a pad to stop the sample playback once triggered, or load a sample to the respective Sampler slot if no sample is loaded. Use the Parameter left & right buttons to cycle through the Sample Banks, and hold SHIFT while pressing them to cycle through the Sampler Output options.

**PITCH PLAY mode:** Hold SHIFT while pressing the SAMPLER mode button to enter PITCH PLAY mode. PITCH PLAY mode requires the Serato Pitch 'n Time DJ expansion pack activated, see the PITCH PLAY section for more information.

[SEE PITCH PLAY SECTION FOR MORE DETAILS](#)

# Looping

You can control Auto and Manual Loops within Serato DJ Pro, using controls on the Mixars Primo.

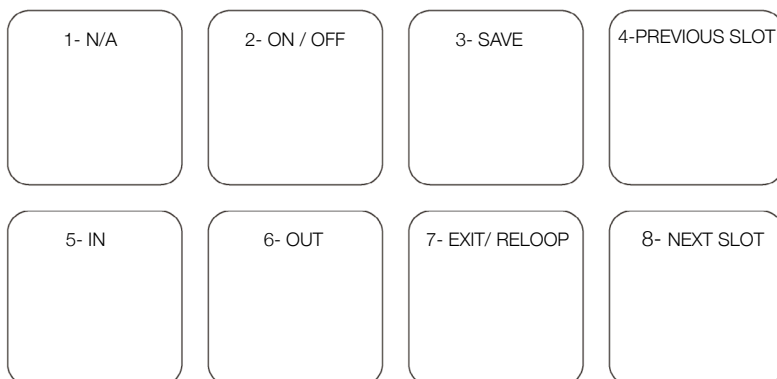
**NOTE:** You can also save a loop to the next available free loop slot in the software. To do this, click **+** on an available loop slot. Your loops are saved to the file and recalled the next time it is loaded. They are not lost if the file is moved or renamed.

## Auto Loop controls:

| Mixars Primo Control | Function          | Shift function              |
|----------------------|-------------------|-----------------------------|
| AUTO LOOP            | Activate Autoloop | Reloop or Exit current loop |
| 1/2X                 | Halve Loop Size   | Edit Loop IN point          |
| 2X                   | Double Loop Size  | Edit Loop OUT point         |

When in the Loop Roll pad mode, you may also control Loop sizes with the 1/2x and 2x buttons.

## Manual Loop controls:





| Mixars Primo Pad # | Function      | Description   |
|--------------------|---------------|---|
| 1                  | N/A           | -   |
| 2                  | ON / OFF      | Enable / Disable loop   |
| 3                  | SAVE          | Save current loop to selected slot  |
| 4                  | PREVIOUS SLOT | Select previous loop slot   |
| 5                  | IN            | Set loop in point. Once a loop has been created, press pad again then use parameter controls to adjust IN point   |
| 6                  | OUT           | Set loop out point. Once a loop has been created, press pad again then use parameter controls to adjust OUT point |
| 7                  | EXIT / RELOOP | Exit / trigger selected loop again.   |
| 8                  | NEXT SLOT     | Select next loop slot   |

# DJ-FX

The DJ-FX in Serato DJ Pro are powered by iZotope™. Click the FX button  to open the FX panel. Select either 1, 2, 3, 4 or M to assign the selected effect bank to a deck or Master Output.

There are two available modes with DJ-FX. Single FX Mode allows you to select one effect per FX bank, and has multiple parameters that can be adjusted. Multi FX Mode allows you to select up to three effects per FX bank, and adjust only one parameter, the FX Depth. The same effects available in Single FX mode are available in Multi FX mode, as well some additional presets.

You can select between the two FX modes by clicking either the Single FX mode button  or Multi FX mode button .

| Mixars Primo Control | Single FX mode   | Multi FX mode        | Shift function                            |
|----------------------|------------------|----------------------|---|
| FX Button 1          | Effect On/Off    | Slot 1 Effect On/Off | Slot 1 Select Effect                      |
| FX Button 2          | Reverse On/Off   | Slot 2 Effect On/Off | Slot 2 Select Effect (Multi FX mode only) |
| FX Button 3          | Loop On/Off      | Slot 3 Effect On/Off | Slot 3 Select Effect (Multi FX mode only) |
| FX Mode              | Tap in BPM value | Tap in BPM value     | Change FX mode                            |

# DVS

The Mixars Primo is a “Paid upgrade to Serato DVS” device, meaning a separate Serato DVS license is required, in order to use turntables or CD players to control Serato DJ Pro using NoiseMap™ Control Tone records or CDs. These can be used in Channel 1 & 2 inputs on the Mixars Primo.

Find out more about Serato DVS, [here](#).

If you already have a Serato DVS license, simply activate it by navigating to the ‘Setup’ screen in Serato DJ Pro, then to the ‘Expansion Packs’ tab, and then ‘Vinyl / CDJ Control’, and finally, tick ‘Enable Vinyl / CDJ Control’.

# Pitch Play

Holding SHIFT and pressing the SAMPLER performance pad mode button on the Mixars Primo will enable Pitch Play mode. In this mode you can play Cue Points over variable pitch ranges.

There are 3 key ranges to choose from. The following tables show pitched key ranges (in Semitones) while using the 8 performance pads in Pitch Play mode. To toggle between key ranges press the Parameter left & right buttons.

The root key pad (0) is always lit white, which will play the cue point at its regular pitch.

Pressing Parameter left & right while holding SHIFT will shift up or down a single semitone. In Pitch Play mode, pressing a pad will pitch the currently selected cue point up or down the following ranges:

## Up Range: (Up 7 Semitones)

|    |    |    |    |
|----|----|----|----|
| +4 | +5 | +6 | +7 |
| 0  | +1 | +2 | +3 |

## Middle Range: (Up 3/Down 4 Semitones)

|    |    |    |    |
|----|----|----|----|
| 0  | +1 | +2 | +3 |
| -4 | -3 | -2 | -1 |

## Down Range: (Down 7 Semitones)

|    |    |    |    |
|----|----|----|----|
| -3 | -2 | -1 | 0  |
| -7 | -6 | -5 | -4 |

When Pitch Play mode is first enabled, the middle range is selected. If a new track is loaded, key mode will default to middle range.

PITCH PLAY can only pitch one Cue point at a time. To change the selected Cue, hold the SHIFT button and press a performance pad where the cue point you want to select would be (as shown in the CUES performance pad mode). While holding SHIFT, press the corresponding performance pad for:

|       |       |       |       |
|-------|-------|-------|-------|
| Cue 1 | Cue 2 | Cue 3 | Cue 4 |
| Cue 5 | Cue 6 | Cue 7 | Cue 8 |

The selected cue point defaults to Cue Point 1 on track load, even if instant doubled. If a pad with no cue point is selected, then a new cue point will be created. Deleting a cue point however, is not possible in PITCH PLAY mode. Range is remembered if user goes to another pad mode, then back to key mode. If a new track is loaded, key mode will default to middle range.

**NOTE:** Pitch Play mode is available once the Pitch 'n Time DJ Expansion Pack has been activated in the MY SERATO window. Make sure "Enable Pitch 'n Time DJ" is checked in the Expansion Pack tab of the SETUP screen.



# MIDI

The MIDI feature in Serato DJ Pro provides the ability to remap Serato DJ Pro software functions to your primary Serato controller, interface or mixer. You can also assign controls to a secondary MIDI controller to further enhance your performance.

[For more information on MIDI mapping with Serato DJ Pro click here](#)

To remap your supported Serato device, open the SETUP screen and click the MIDI tab. If your Serato device supports hardware remapping, it will show up in the MIDI Devices list at the top.

Select your connected device from the MIDI Devices list and make sure the “Allow Serato Hardware Remapping” option is checked.

Allow Serato Hardware Remapping

Once checked, the MIDI assign button at the top of the screen will become available for you to start remapping.

You can save, edit or delete MIDI presets in the MIDI tab of the SETUP screen. Clicking ‘Restore Defaults’ will erase any custom mappings for all connected devices and revert their functions back to default.

# Help

## Show Tooltips

Click on the **Help** button in the upper right-hand corner of Serato DJ Pro, then **Show tooltips** to enable tooltips. Tool tips provide a handy way to learn the various features of Serato DJ Pro.

Move the mouse over a section of the screen to bring up a context sensitive tool tip.

## Watch Tutorials

Click on the **Help** button in the upper right-hand corner of Serato DJ Pro, then **Watch tutorials** to launch your default internet browser and watch tutorials, to help you get familiar with Serato DJ Pro.

## Get Support

Click on the **Help** button in the upper right-hand corner of Serato DJ Pro, then **Get support** to launch your default internet browser and navigate to the Serato DJ Pro knowledge base, where you can find helpful articles and guides on Serato DJ Pro. Alternatively, type in the **Search help** **Go** box, with keywords, to search the Serato DJ Pro knowledge base for specific, related topics.