



Rane Twelve Quick-Start Guide

Setup

Serato Software

The Rane Twelve is a “Serato DJ Pro official accessory”, meaning it works with Serato DJ Pro out of the box, but requires additional primary hardware connected, that falls under the Serato DJ Pro hardware unlocked or Paid upgrade to Serato DJ Pro categories.

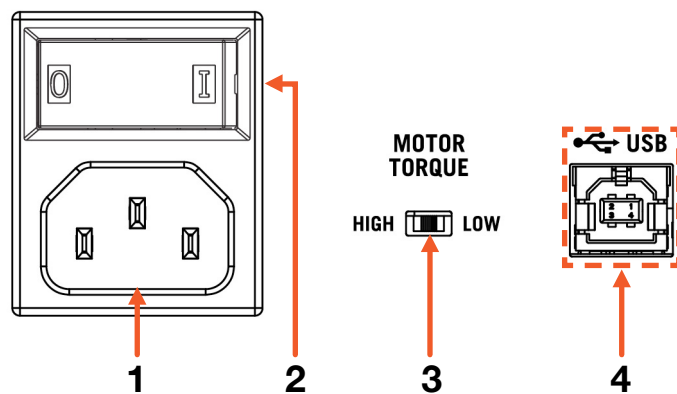
Please ensure you have the latest version of Serato DJ Pro installed:

[Click here to download Serato DJ Pro](#)

Driver Software

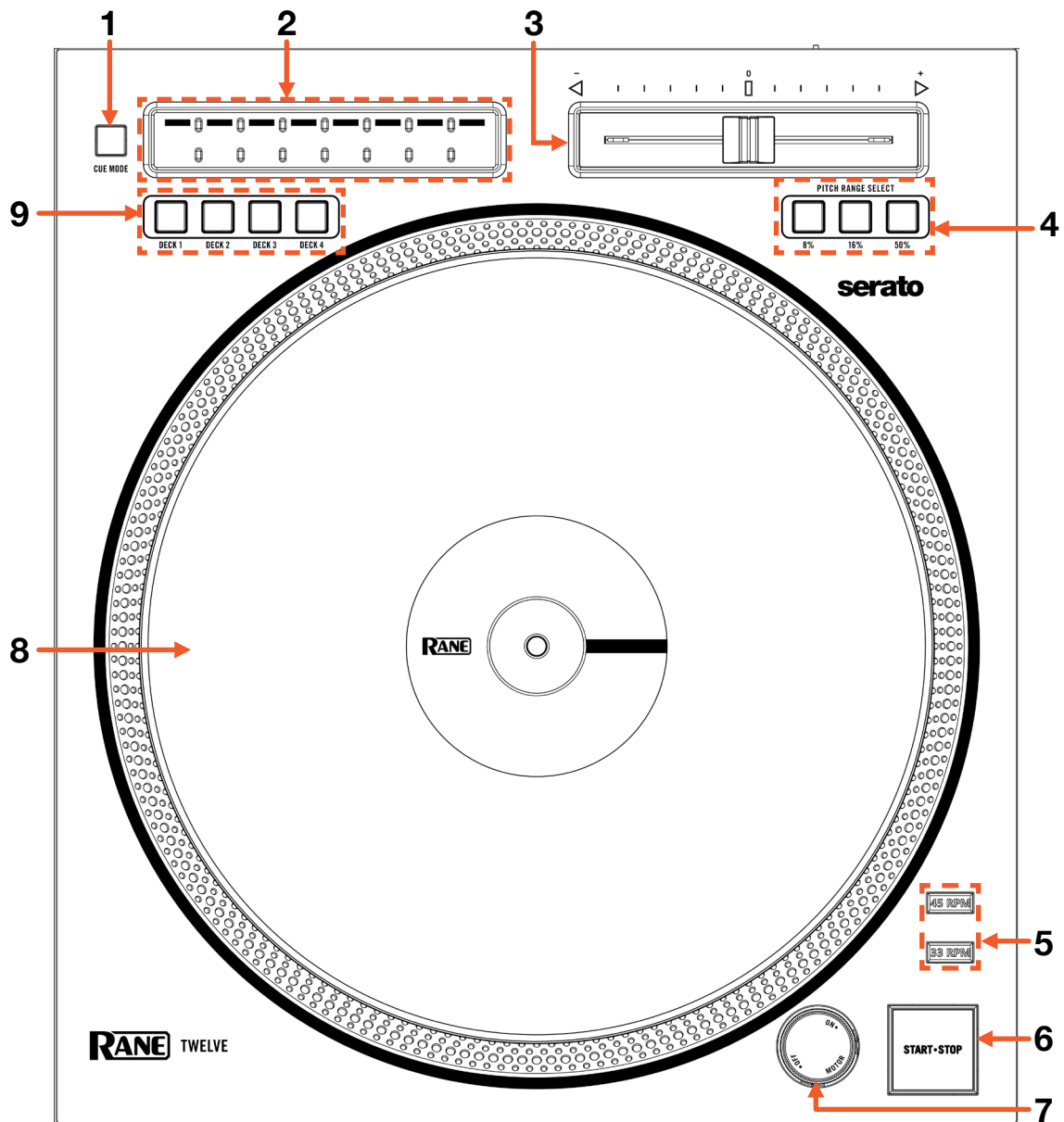
The Rane Twelve does not require manufacturer specific drivers on Mac or Windows operating systems, and is plug & play with Serato DJ Pro. If used in conjunction with a Rane Seventy-Two mixer, you may connect the Rane Twelve to it's dedicated USB accessory ports, otherwise simply connect it directly to a spare USB port on your computer, then connect your primary hardware, and launch Serato DJ Pro. Ensure the virtual deck you wish to control in Serato DJ Pro is in Internal mode, and then press the Deck 1, 2, 3 or 4 buttons, to assume control of that deck. Once assigned, the corresponding Deck Select button will indicate this, by staying fully lit. To reassign a deck, hold the corresponding Deck Select button for 2 seconds, allowing you to assign it again, which is useful when using multiple Rane Twelve devices.

Overview



#	RANE TWELVE CONTROL	FUNCTION
1	AC POWER IN	Connect AC adapter
2	POWER SWITCH	Turn device on/off
3	MOTOR TORQUE	Adjust platter torque
4	USB	Connect USB cable to PC / Mixer

Overview



#	RANE TWELVE CONTROL	FUNCTION
1	CUE MODE	Toggle between Cue pad mode (brightly lit) or Needle drop mode (dimly lit)
2	TOUCH STRIP	Used to set track position in Needle drop mode, or trigger Cues 1-8, depending on Cue Mode set. If no Cue is set to that Cue slot, a new Cue will be created.
3	PITCH FADER	Move to adjust track tempo
4	PITCH RANGE SELECT	Press to adjust pitch range per deck, with 8%, 16% & 50%
5	45 / 33 RPM	Toggle between 45 & 33 RPM for rotation speed of the platter
6	START / STOP	Press to start & stop platter
7	MOTOR ON / OFF	Turn to start or stop platter motor
8	PLATTER	Move to manipulate audio playhead in Serato DJ Pro
9	DECK 1/2/3/4	Press to change or assign deck control in Serato DJ Pro

Help

Show Tooltips

Click on the **Help** button in the upper right-hand corner of Serato DJ Pro, then **Show tooltips** to enable tooltips. Tool tips provide a handy way to learn the various features of Serato DJ Pro.

Move the mouse over a section of the screen to bring up a context sensitive tool tip.

Watch Tutorials

Click on the **Help** button in the upper right-hand corner of Serato DJ Pro, then **Watch tutorials** to launch your default internet browser and watch tutorials, to help you get familiar with Serato DJ Pro.

Get Support

Click on the **Help** button in the upper right-hand corner of Serato DJ Pro, then **Get support** to launch your default internet browser and navigate to the Serato DJ Pro knowledge base, where you can find helpful articles and guides on Serato DJ Pro. Alternatively, type in the **Go** box, with keywords, to search the Serato DJ Pro knowledge base for specific, related topics.