

**QUICK-START
GUIDE
DENON DJ
SC5000 PRIME**

serato



Installation and Setup

The Denon DJ SC5000 Prime is a class compliant USB plug and play device for Mac & Windows.

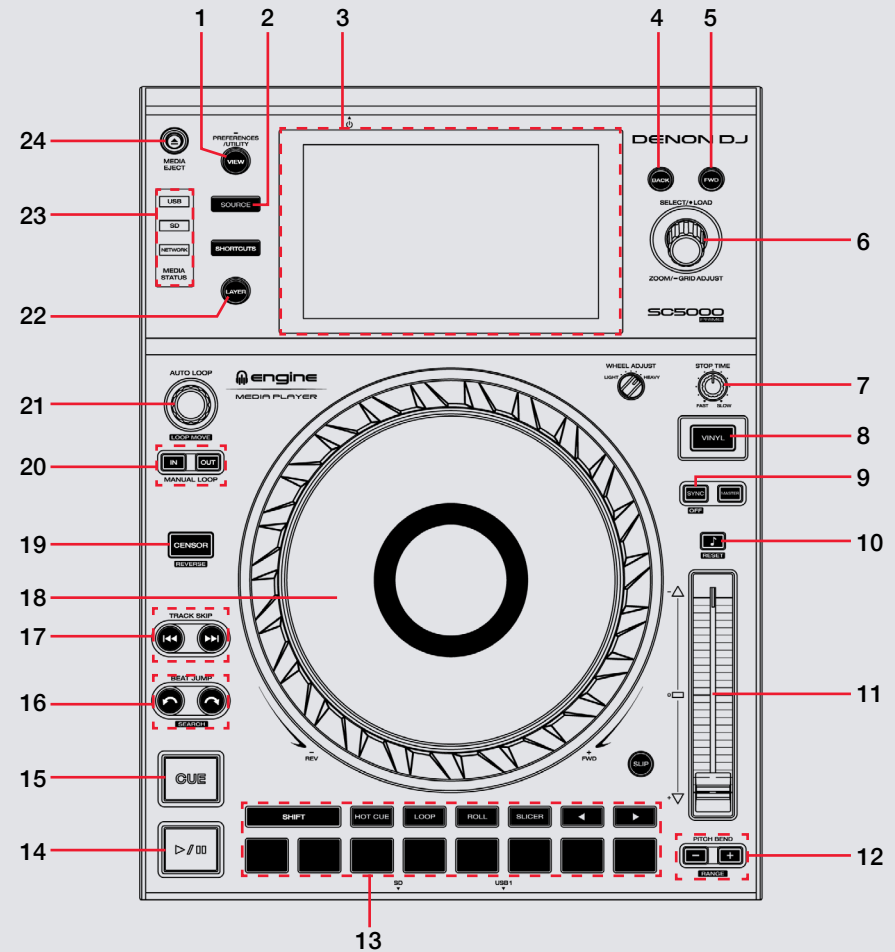
Each Denon DJ SC5000 Prime media player used with Serato DJ in HID mode, requires a USB cable, a spare USB port - and must be connected alongside Serato DJ primary hardware.

If you don't have enough USB ports available to you, you may be able to connect your SC5000 Prime to a powered USB hub.

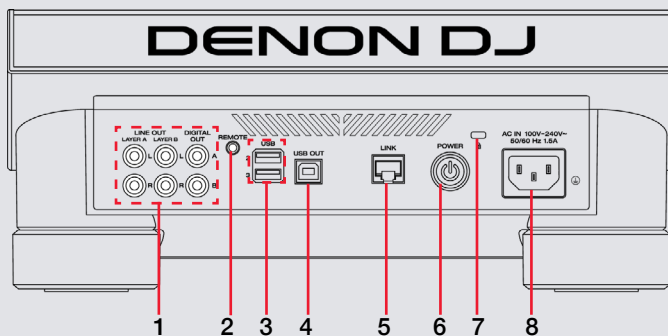
It is however, important to always connect your Serato DJ primary hardware directly to your computer.

Please also ensure you have also installed the latest available version of [Serato DJ](#).

1. Connect your Serato DJ hardware as per normal into an available USB port on your computer.
2. Connect the SC5000 Prime to your computer via USB cable or USB hub.
3. Open Serato DJ.
4. Press the SOURCE button, then tap the COMPUTER icon that appears in the upper right-hand corner of the touchscreen of the SC5000 Prime.
5. Press the 1 / 2 / 3 / 4 deck select icons that appear on the touchscreen.
6. Set the virtual deck in Serato DJ to Internal mode (INT).



#	SC5000 Prime Control	Function	Shift Function
1	VIEW	Toggle Library View	
2	SOURCE	Toggle SC5000 Source	
3	LCD DISPLAY	LCD Display with track information	
4	BACK	Toggles back between Library and Crates	
5	FWD	Toggles forward between Library and Crates	
6	BROWSE	Library Scroll. Press in to load track to deck, press twice to instant double	Fast Library Scroll
7	STOP TIME	Adjust braking speed	
8	VINYL	Change Jog mode of platter	
9	SYNC	Turn Sync on	Turn Sync off
10	KEYLOCK	Toggle Keylock	Toggle Key Sync
11	TEMPO FADER	Adjust Tempo	Ignore Temp adjustment
12	PITCH BEND + / -	Bends the pitch of playing track up or down	Toggle pitch range
13	PERFORMANCE PADS	SEE PERFORMANCE PADS FOR MORE INFORMATION	
14	PLAY / PAUSE	Toggle Play / Pause on selected deck	Stutter Play
15	CUE	Works as DJ media player style cue button for setting and jumping to temporary cue	Load previous track
16	BEATJUMP LEFT / RIGHT	Beat Jump left + right	Halve Beat Jump and double Beat Jump
17	TRACK SKIP	Fast forward and rewind	Previous track, Next track
18	PLATTER/JOG WHEEL WITH LED DISPLAY	Touch the top to scratch or jog depending on Jog mode. Moving the outside of the wheel will jog.	Platter skip
19	CENSOR	Toggle Censor	Toggle reverse track playback
20	LOOP IN / LOOP OUT	Set Loop In point / Set Loop Out point (Press either again to adjust respective parameter)	Toggle 4 bar Autoloop / Toggle 8 bar Autoloop
21	AUTO LOOP	Press to activate Autoloop, Turn left to halve loop length, turn right to double loop length	Turn left to shift loop left, turn right to shift loop right
22	LAYER	Change Deck layer	
23	MEDIA STATUS	Lights up to show connected source type	
24	MEDIA EJECT	Used before ejecting media from device	



#	SC5000 Prime Control	Function
1	RCA OUT	Line Out for Layer A / B & Digital Out
2	REMOTE IN	Connect remote start cable
3	USB IN 2 & 3	Connect USB storage devices
4	USB OUT	Connect USB cable with PC
5	LINK PORT	Connect other Denon DJ PRIME devices
6	POWER SWITCH	Press to turn on device
7	KENSINGTON LOCK	Secure device
8	AC POWER IN	Connect power cable

Performance Pads



The Denon DJ SC5000 Prime has 8 performance pads which can be used in nine different modes: *Note: Performance Pads (among other features), are not available if using the Media Player as a DVS control source, and only work in HID mode.*

- **Hot Cue mode:** When pressing pads 1-8 you can add (or trigger when populated), up to 8 Cue Points. Holding SHIFT and pressing pads 1-8 will delete the Cue Points. When the Flip expansion pack is enabled and Flip is activated the LEFT pad and RIGHT pads perform the following functions: Flip Record / Flip Start and with SHIFT, Flip Loop / Flip On/Off.
Cue Loop mode: Press Hot Cue mode twice to enable Cue Loop mode. Triggering a Cue in this mode will also activate a loop. Loop size can be changed with the LEFT and RIGHT pads. Press SHIFT + while triggering a Cue Loop allows you to reloop.
Pitch Play mode: Hold SHIFT while pressing Hot Cue mode to enable Pitch Play mode. Press pads 1-8 to play Cue points over variable pitch ranges. See the 'Pitch Play' section for more information.
- **Loop mode:** When pressing pads 1-8, you can activate an Autoloop of varying sizes. Press the pad again to deactivate the Autoloop. Press the LEFT & RIGHT pads to decrease or increase the Autoloop size, press the LEFT & RIGHT pads while holding SHIFT to move the loop left or right.
Saved Loop mode: Press Loop mode twice, to access Saved Loop mode. Press pads 1-8 to select and trigger the respective Saved Loop slots or save a new Loop if no Saved Loop is present in that slot. Holding SHIFT while pressing pads 1-8 will retrigger the Saved Loop. Press the LEFT & RIGHT pads to decrease or increase the Saved Loop size.

- **Roll mode:** Holding pads 1-8 will activate a loop Roll of different sizes. Release the pad to disengage the loop Roll. Press the LEFT & RIGHT pads to halve or double the loop roll size.
Sampler mode: Press SHIFT and Roll mode, to access Sampler mode. Pads 1-8 will trigger Samples loaded in your Sample Banks - holding SHIFT while pressing pads 1-8 will disengage the triggered Sample, or load the currently selected track / file to an empty Sample slot. Use LEFT & RIGHT pads to cycle through Sample Banks. Hold SHIFT while pressing the LEFT & RIGHT pads to cycle forward and backwards through the Sampler Output options.
- **Slicer mode:** A specified range (or domain) is divided into eight equal sections, and these eight sliced sections are assigned to pads 1-8, as a shifting Slicer domain. Pads 1-8 will trigger the slices, and you can press the LEFT & RIGHT pads to increase and decrease the quantize size, and hold SHIFT while doing so to increase and decrease the domain size.
Slicer Loop mode: Press Slicer mode twice to enter Slicer Loop mode. This is a fixed Slicer Domain or "loop". Again, Pads 1-8 will trigger the slices, and you can press the LEFT & RIGHT pads to increase and decrease the quantize size, and hold SHIFT while doing so to increase and decrease the domain size.

Pitch Play

Holding **SHIFT** and pressing the **HOT CUE** pad mode on the Denon DJ SC5000 Prime will enable **Pitch Play** mode. In this mode you can play Cue Points over variable pitch ranges.

There are 3 key ranges to choose from. The following tables show pitched key ranges (in Semitones) while using the 8 performance pads in Pitch Play mode. To toggle between key ranges press the LEFT & RIGHT pad buttons. The root key pad (0) is always lit white, which will play the cue point at its regular pitch. When in Pitch Play mode, pressing a pad will pitch the currently selected cue point up or down the following ranges:

Up Range (Up 7 Semitones)

0	+1	+2	+3	+4	+5	+6	+7
---	----	----	----	----	----	----	----

Middle Range (Up 3/Down 4 Semitones)

-4	-3	-2	-1	0	+1	+2	+3
----	----	----	----	---	----	----	----

Down Range (Down 7 Semitones)

-7	-6	-5	-4	-3	-2	-1	0
----	----	----	----	----	----	----	---

When Pitch Play mode is first enabled, the middle range is selected. If a new track is loaded, key mode will default to middle range.

Pitch Play can only pitch one Hot Cue point at a time. To change the selected Cue, hold the SHIFT button and press a performance pad where the cue point you want to select would be (as shown in the CUES performance pad mode). While holding SHIFT, press the corresponding performance pad for:

Cue 1	Cue 2	Cue 3	Cue 4	Cue 5	Cue 6	Cue 7	Cue 8
-------	-------	-------	-------	-------	-------	-------	-------

The selected cue point defaults to Cue Point 1 on track load, even if instant doubled. If a pad with no cue point is selected, then a new cue point will be created. Deleting a cue point however, is not possible in PITCH PLAY mode. Range is remembered if user goes to another pad mode, then back to key mode. If a new track is loaded, key mode will default to middle range.

NOTE: Pitch Play mode is available once the Pitch 'n Time DJ Expansion Pack has been activated in the MY SERATO window. Make sure "Enable Pitch 'n Time DJ" is checked in the Expansion Pack tab of the SETUP screen.

Beat Jump

To activate **Beat Jump**, open the **Setup** screen and under the DJ preferences tab turn on “**Show Beat Jump Controls**”.

Show Beat Jump Controls


When you close the Setup screen you will see Beat Jump controls underneath the existing Auto Loop values on each deck. Checking this box will turn on Beat Jump features in the deck area and let you control Beat Jump from on your supported Serato DJ hardware.




When the Beat Jump option is enabled, performance pads **AUTO LOOP** or **ROLL** mode will use pads 5-8 as Beat Jump controls. This is designed to mirror the change in deck Auto Loop area (from 8 Auto Loop sizes to 4 Auto Loop sizes + Beat Jump controls).

Performance Pad Function	Pad 5	Pad 6	Pad 7	Pad 8
Beat Jump disabled	Auto Loop/ Loop Roll 5	Auto Loop/ Loop Roll 6	Auto Loop/ Loop Roll 7	Auto Loop/ Loop Roll 8
Beat Jump enabled	Beat Jump Left	Halve Beat Jump Size	Double Beat Jump Size	Beat Jump Right

Using the Tool Tips

Click on the  icon to enable Tool Tips. This is located in between the MIDI and setup button in the top right hand corner of the screen. Tool Tips provide a handy way to learn the various features of Serato DJ.

Move the mouse over a section of the screen to bring up a context sensitive tool tip. Holding the mouse over the  button with Tool Tips turned on will show you a list of all keyboard shortcuts.

For more information about how to use Serato DJ, please go to our website www.serato.com or download the Serato DJ Manual.

For more information on your SC5000 Prime, please refer to the Denon DJ SC5000 Prime manual.

For further help, please contact support@serato.com or go to <http://serato.com/dj/support>

serato

