

QUICKSTART GUIDE PIONEER DJM-S3

serato



Installation and Setup

The Pioneer DJ DJM-S3 is a Serato DJ and DVS enabled device and does not require additional Serato DJ or DVS Expansion Pack licenses.

The DJM-S3 requires drivers on both Mac OS X and Windows. Please make sure you have the latest drivers installed before using with Serato DJ.

It is always important to connect your mixer directly to your computer, rather than a USB hub. Please also ensure you have installed the latest version of Serato DJ from <http://serato.com/dj/downloads>

Follow the steps in the DVS Control section to use the DJM-S3 with DVS control and Serato DJ.

NOTE: After the driver is installed, you will need to restart the mixer before the it will connect correctly. **Please restart your mixer after installing the driver and using your DJM-S3 for the first time.**

DVS Control

Follow the steps below to get the DJM-S3 set up with Serato DJ DVS control.

1. Install Drivers

Connect your DJM-S3 mixer via USB and open the [latest version of Serato DJ](#). You should see an **'INSTALL DRIVER'** dialogue box appear in the right hand side-panel. Click **'INSTALL DRIVER'** and follow the installer prompts. Once the driver has been installed, turn your mixer OFF and then ON.

NOTE: Make sure the mixer is restarted after the driver is installed. This is required before the mixer will function correctly with Serato DJ.

If you don't have the mixer with you right now you can still download the driver from the hardware manufacturers website.

2. Select Input source

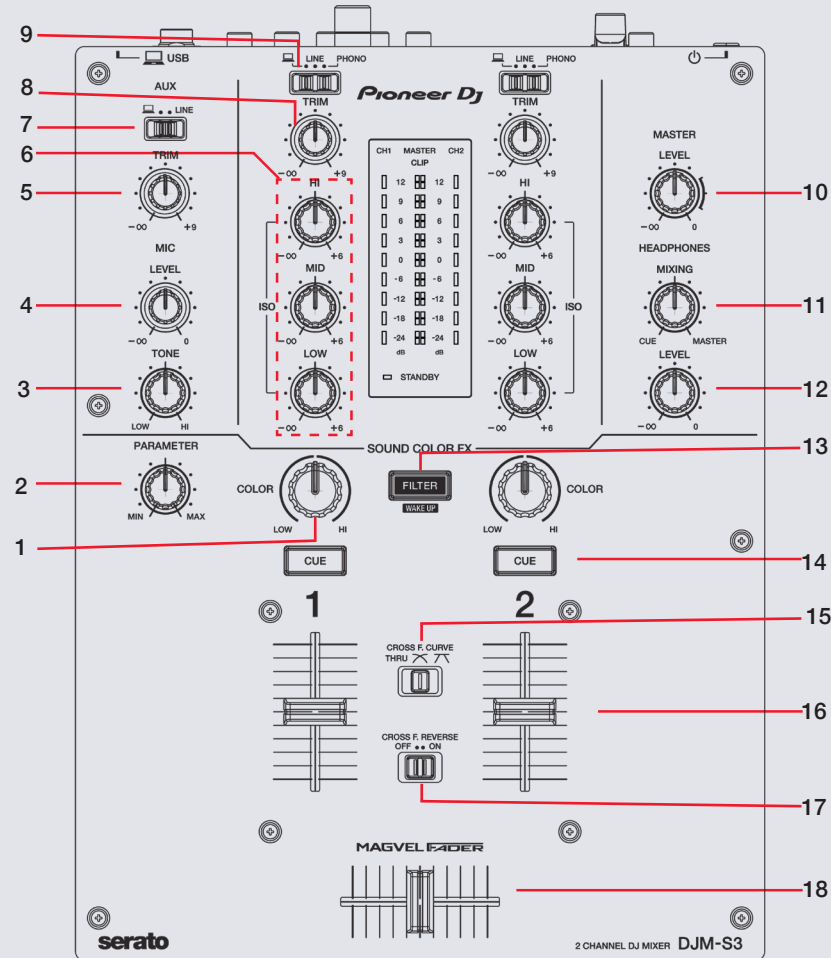
Once turntables or CDJs are connected, open the **SETUP** screen and click the **AUDIO** tab. Click Depending on what kind of input you have connected (Turntables/CDJs) you will need to make sure this is set accordingly for each channel. Click the configuration you want to use.

NOTE: If you do not set the mixer's input accordingly, DVS control will not work. Please make sure you have clicked the appropriate input source.

serato



MIXER

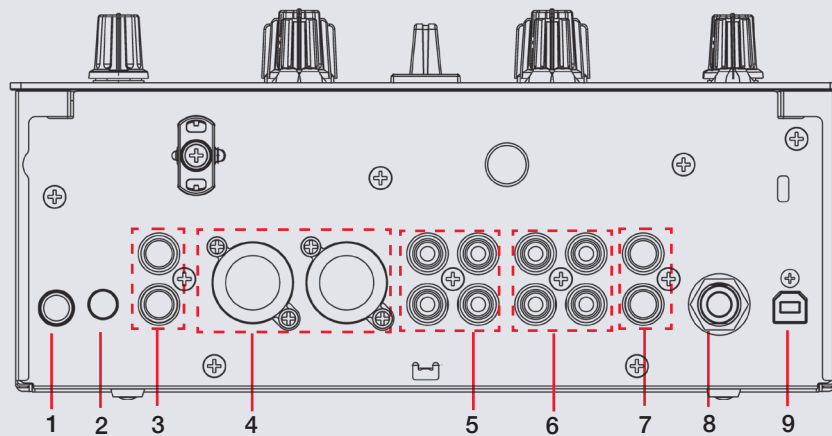


NOTE: The SHIFT button is used with other buttons that have shift modifier functions.

#	DJM-S3 Control	Function
1	FILTER	Channel combo filter (lowpass/highpass)
2	PARAMETER	Adjust Parameter/amount
3	MIC TONE	Adjust MIC Tone
4	MIC LEVEL	Adjust MIC Level
5	AUX IN TRIM	Adjust Aux input volume
6	AUX IN INPUT SELECT	Toggle Aux input source
7	CHANNEL EQ	3-band Channel EQ
8	CHANNEL TRIM	Adjust Channel volume
9	CHANNEL INPUT SELECT	Toggle Channel input source
10	MASTER VOLUME	Adjust Master output volume
11	HEADPHONES MIX	Adjust Headphones mix
12	HEADPHONES LEVEL	Adjust Headphones output volume
13	FILTER	Channel Filter on/off
14	CHANNEL CUE	Enable Channel headphone cue
15	CROSSFADER CURVE	Adjust Crossfader curve
16	CHANNEL FADER	Adjust Channel volume
17	CROSSFADER REVERSE	Reverse Crossfader channels
18	CROSSFADER	Fade audio between channels A-B

serato





#	DJM-S3 Control	Function
1	POWER	Turn unit On/Off
2	AC IN	Connect AC power
3	MASTER OUTPUT 2	RCA output
4	MASTER OUTPUT 1	Balanced XLR output
5	CH 2 INPUT	Ch 2 Phono/Line Inputs
6	CH 1 INPUT	Ch 1 Phono/Line Inputs
7	AUX IN	RCA Aux Input
8	MIC IN	Connect Microphone
9	USB	Connect via USB to computer
10	HEADPHONE OUTPUT	1/4"/1/8" Headphone Output

MIDI

The MIDI feature in Serato DJ provides the ability to remap Serato DJ software functions to your primary Serato DJ controller, interface or mixer. You can also assign controls to a secondary MIDI controller to further enhance your performance.

[For more information on MIDI mapping with Serato DJ click here.](#)

To remap your supported Serato DJ device, open the **SETUP** screen and click the **MIDI** tab. If your Serato DJ device supports hardware remapping it will show up in the **MIDI Devices** list at the top.

Select your connected device from the MIDI Devices list and make sure the “Enable MIDI device” option is checked.



Once checked, the MIDI assign button at the top of the screen will become available for you to start remapping.


A dark grey rectangular button with the word "MIDI" in white capital letters.


You can save, edit or delete MIDI presets in the **MIDI** tab of the **SETUP** screen. Clicking ‘**Restore Defaults**’ will erase any custom mappings for all connected devices and revert their functions back to default.

[Download the Serato DJ software manual for further information.](#)

NOTE: Official Serato Accessories do not currently support user remapping. Hardware features that cannot be remapped at this stage are Jog wheels/Platters, Input Switches, Shift buttons and Performance Pad Mode buttons.

Using the Tool Tips

Click on the  icon to enable Tool Tips. This is located in between the MIDI and setup button in the top right hand corner of the screen. Tool Tips provide a handy way to learn the various features of Serato DJ.

Move the mouse over a section of the screen to bring up a context sensitive tool tip. Holding the mouse over the  button with Tool Tips turned on will show you a list of all keyboard shortcuts.

For more information about how to use Serato DJ, please go to our website www.serato.com or refer to the Serato DJ Software Manual. For more information on your controller, please refer to the hardware manual.

For further help please contact support@serato.com or go to www.serato.com/dj/support

serato

