

**QUICK-START
GUIDE
RELOOP
RMX-90DVS**

serato



Installation and Setup

The Reloop RMX-90DVS requires drivers on Windows, but is a class-compliant device for OS X and macOS.

For Windows, please make sure you have the latest drivers installed, by visiting Reloop's website (<http://www.reloop.com/downloadfinder/>), or allowing Serato DJ to install the bundled driver.

It is always important to connect your mixer directly to your computer, rather than a USB hub.

Please also ensure you have installed the latest available version of Serato DJ (1.9.6 or above required).

The Reloop RMX-90DVS is a Serato DJ and DVS enabled device, and does not require a license to use Serato DJ, nor the DVS expansion pack, however additional purchases may be required to use other expansion packs.

User Guide

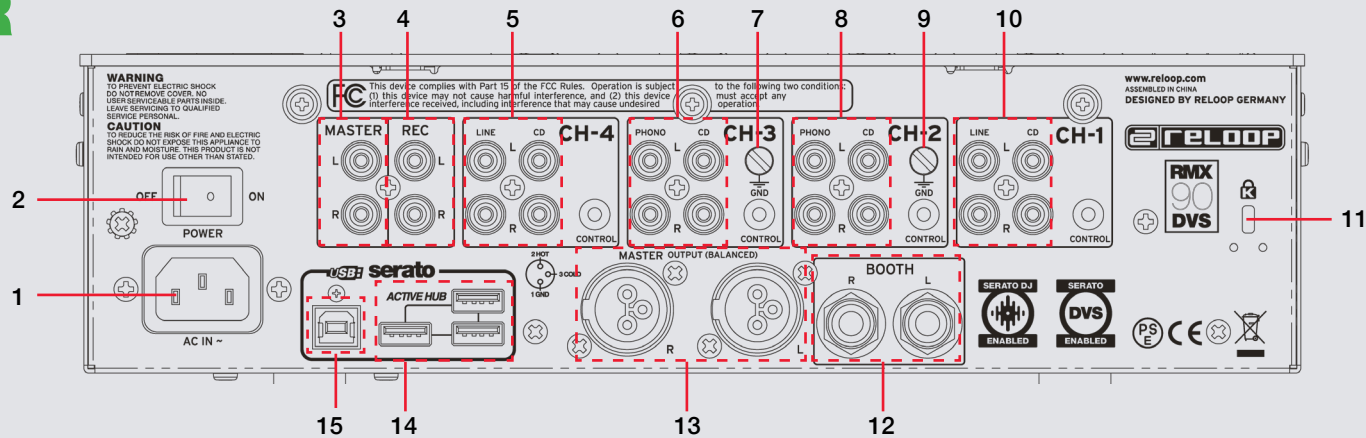
For further information on RMX-DVS90 controls and details on individual features please refer to the Reloop RMX-DVS90 Hardware User Guide.

[Download the RMX-DVS90 User Guide from the Reloop website here.](#)

serato



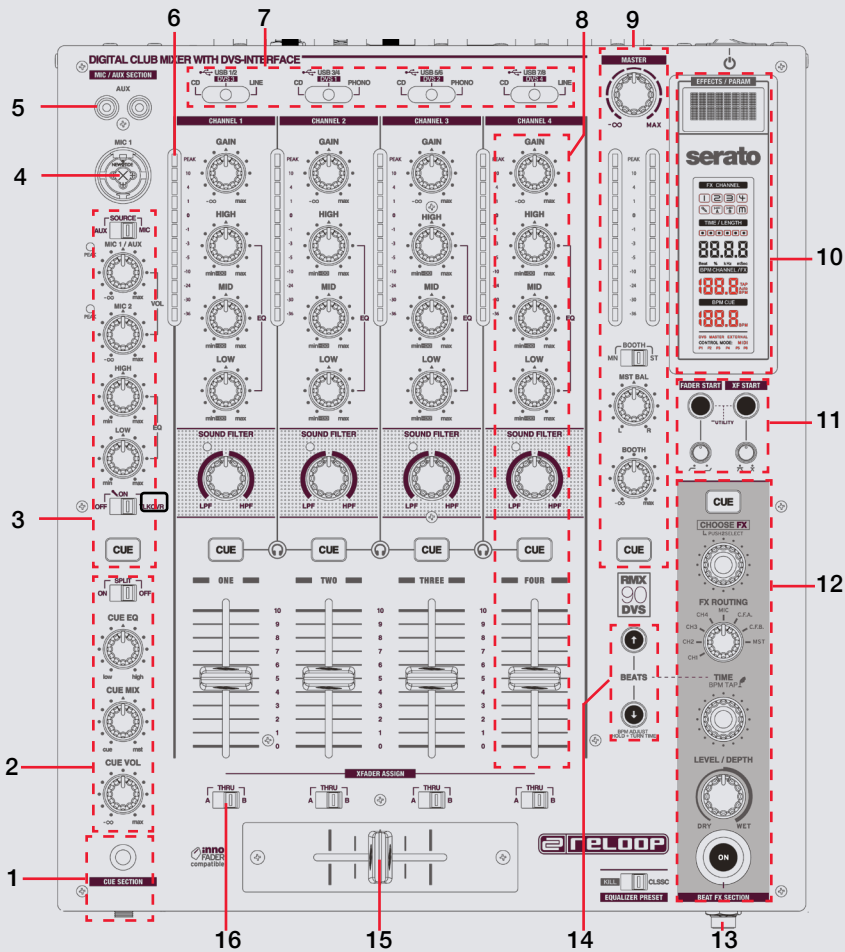
MIXER



#	RMX-DVS90 Control	Function
1	AC POWER IN	Connect AC power cable
2	POWER SWITCH	Mixer On/Off
3	MASTER	Master RCA output
4	REC OUT	Record RCA output
5	CH-4 INPUT	Line / CD input for channel 4
6	CH-3 INPUT	Phono / CD input for channel 3
7	GROUNDING POST	Connect grounding wire from turntables
8	CH-2 INPUT	Phono / CD input for channel 2
9	GROUNDING POST	Connect grounding wire from turntables
10	CH-1 INPUT	Line / CD input for channel 1
11	KENSINGTON SLOT	Secure mixer with Kensington lock
12	BOOTH OUT	Booth TRS output
13	MASTER	Master XLR output
14	ACTIVE USB HUB	Allow for additional USB devices and accessories
15	USB PORT	Connect USB cable to computer

serato





#	RMX-DVS90 Control	Function
1	HEADPHONE INPUTS	3.5mm and 6.35mm headphone inputs
2	CUE SECTION	Cue Vol, Mix, EQ, and Split controls
3	MIC1/2 & AUX SECTION	Microphone & AUX controls
4	MIC1 IN	Microphone 1 input
5	AUX IN	Auxiliary input
6	CHANNEL METER	Monitor channel level
7	INPUT SOURCE SELECT	Input source select knob for each channel
8	CHANNEL CONTROLS	Volume, Headphone Cue, Sound Filter, Channel fader, and EQ controls for each channel.
9	MASTER CONTROLS	Master and booth output channel meter and controls
10	BEAT FX LCD	RMX-DVS90 Beat FX display
11	FADER/XFADER START & CURVES	Adjust Channel/Cross Fader curves, and enable Channel/Cross Fader start
12	BEAT FX CONTROLS	Beat FX controls
13	MIC2 IN	Microphone input
14	BEAT FX MODIFIERS	Adjust Beat FX parameters
15	CROSS FADER	Fade between channels
16	CROSS FADER ASSIGN	Assign channels to cross fader A-B

serato



DVS Control

The Reloop RMX-DVS90 mixer is a Serato DVS Enabled device, and unlocks DVS functionality when connected to your PC or Mac.

Select Primary Decks

Also in the **AUDIO** tab of the **SETUP** screen, you will need to select your Primary Decks.

Choosing Channel 1 and 2, will allow you to have a traditional 1-2-3-4 channel configuration. Choosing Channel 2 and 3 will allow you to have a 3-1-2-4 configuration (from left to right across the mixer).

Select which deck configuration you are using with the mixer and change if necessary. If you notice you are getting signal from your control tone but on the wrong deck, you might need to double-check your Primary Decks in the **SETUP** screen or the physical inputs on the back of the mixer.

You are now set up to use your mixer with Serato DJ and DVS control using the REL or ABS control modes. See the Serato DJ manual for more information on Control Modes.

Recording

You are able to record the software mix with Serato DJ and the RMX-DVS90. To make sure your mixer is set up for recording, open the **SETUP** screen and click the **AUDIO** tab. Select a channel to nominate for recording, under the 'Record Channel' section.

For more information, please refer to the RMX-DVS90 mixer's hardware manual.

serato



MIDI

The MIDI feature in Serato DJ provides the ability to remap Serato DJ software functions to your primary Serato DJ controller, interface or mixer. You can also assign controls to a secondary MIDI controller to further enhance your performance.

[For more information on MIDI mapping with Serato DJ click here.](#)

To remap your supported Serato DJ device, open the **SETUP** screen and click the **MIDI** tab. If your Serato DJ device supports hardware remapping it will show up in the **MIDI Devices** list at the top.

Select your connected device from the MIDI Devices list and make sure the "Enable MIDI device" option is checked.

Enable MIDI Device

If you wish to allow re-mapping for primary hardware (like the RMX-90DVS), ensure the following option is enabled;

Allow Serato Hardware Remapping

Once checked, the MIDI assign button at the top of the screen will become available for you to start remapping.


MIDI


You can save, edit or delete MIDI presets in the **MIDI** tab of the **SETUP** screen. Clicking '**Restore Defaults**' will erase any custom mappings for all connected devices and revert their functions back to default.

[Download the Serato DJ software manual for further information.](#)

NOTE: Official Serato Accessories do not currently support user remapping. Hardware features that cannot be remapped at this stage are Jogwheels/Platters, Input Switches, Shift buttons and Performance Pad Mode buttons. Re-mapping any pad(s) in Hot Cue mode will also re-map the same pad in Saved Flip mode and vice versa.

Using the Tool Tips

Click on the  icon to enable Tool Tips. This is located in between the MIDI and setup button in the top right hand corner of the screen. Tool Tips provide a handy way to learn the various features of Serato DJ.

Move the mouse over a section of the screen to bring up a context sensitive tool tip. Holding the mouse over the  button with Tool Tips turned on will show you a list of all keyboard shortcuts.

[For more information about how to use Serato DJ, please go to our website \[www.serato.com\]\(http://www.serato.com\) or download the Serato DJ Manual.](#)

[For more information on your RMX-DVS90, please refer to the Pioneer RMX-DVS90 hardware manual.](#)

serato

