

QUICK-START GUIDE PIONEER DJM-900NXS2

serato



Installation and Setup

To activate Serato DJ with the Pioneer DJM-900NXS2 a Serato DJ license is required to be purchased and activated on your user account. A DVS Expansion Pack also needs to be purchased and activated before the unit can be used with NoiseMap™ control tone to control DVS playback. [You can purchase both products here.](#)

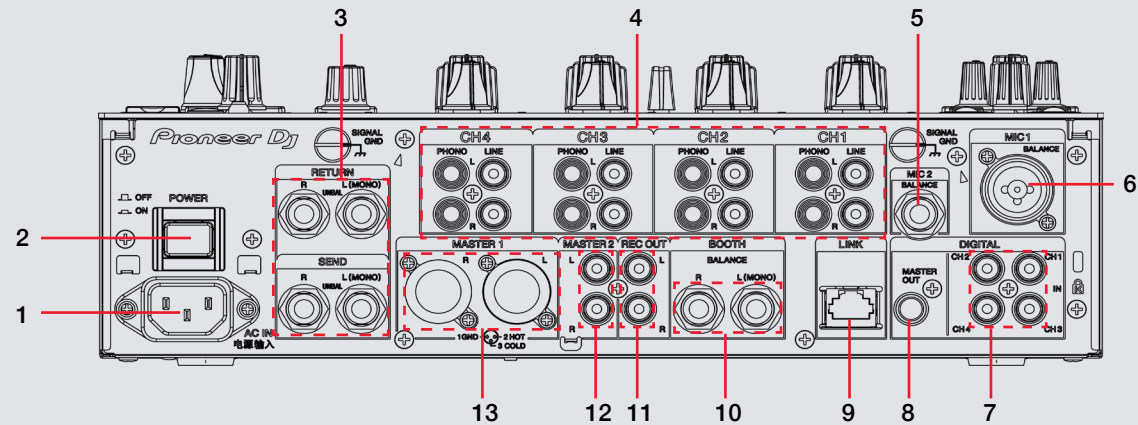
The Pioneer DJM-900NXS2 requires drivers on both Mac OS X and Windows. Please make sure you have the latest drivers installed. It is always important to connect your mixer directly to your computer, rather than a USB hub. Please also ensure you have installed the latest available version of Serato DJ.

To use the DVS Expansion Pack with the DJM-900NXS2 you will need to follow the steps in the [DVS Control section](#).

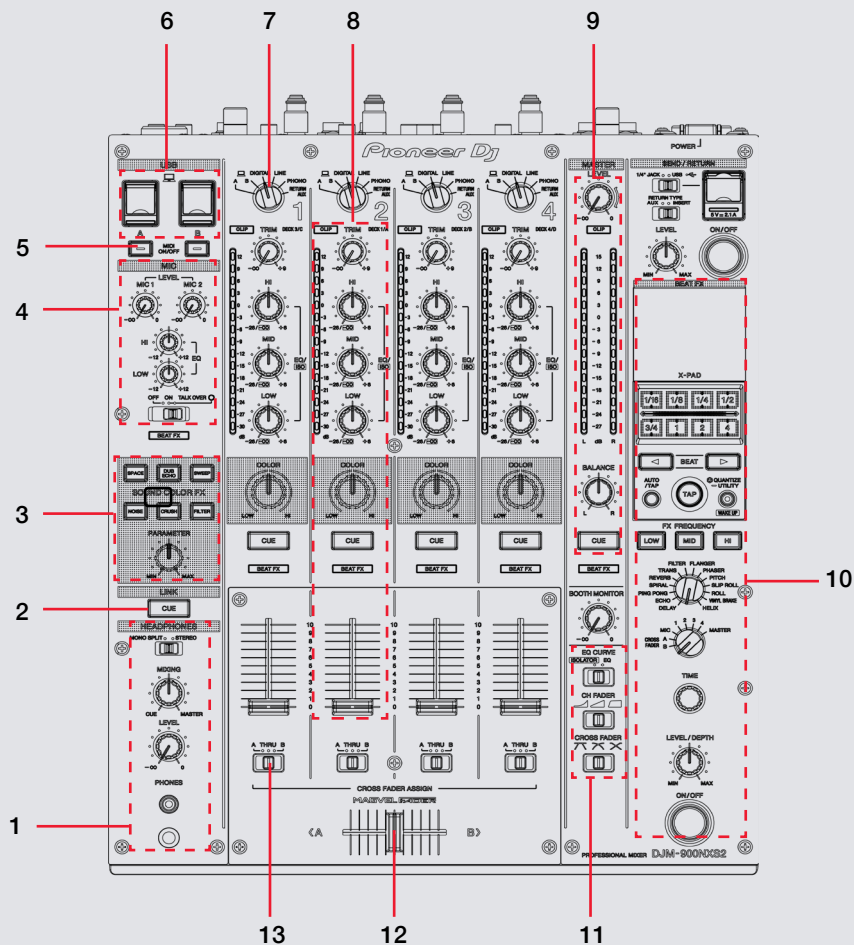
serato



MIXER



#	DJM-900NXS2 Control	Function
1	DC POWER IN	Connect DC Power cable
2	POWER SWITCH	Mixer On/Off
3	SEND/RETURN	Send TRS output and Return TRS input
4	CHANNEL INPUTS	Channel RCA input
5	MIC 2	MIC 2 TRS input
6	MIC 1	MIC 1 XLR/TRS input
7	DIGITAL IN	Connect Digital Inputs
8	DIGITAL OUT	Digital Master Output
9	LINK	Connect LINK cable to other devices
10	BOOTH	Booth TRS Output
11	REC OUT	Record RCA output
12	MASTER 2	Master 2 RCA output
13	MASTER 1	Master 1 XLR output



#	DJM-900NXS2 Control	Function
1	HEADPHONES	Headphone output and controls
2	LINK CUE	Monitor Link channel
3	SOUND COLOR FX	DJM-900NXS2 color FX
4	MICROPHONE	Microphone controls
5	MIDI	DJM-900NXS2 MIDI controls
6	USB A/B	Connect USB cable to your computer(s)
7	INPUT SOURCE SELECT	Input source select knob for each channel
8	CHANNEL CONTROLS	Volume, Headphone Cue, Color FX, Channel fader, and EQ controls for each channel.
9	MASTER CONTROLS	Master output channel and controls
10	BEAT EFFECTS	DJM-900NXS2 beat effects and controls
11	EQ CURVE	Adjust Channel and Cross Fader curves
12	CROSS FADER	Fade audio between channels
13	CROSS FADER ASSIGN	Assign channels to cross fader A-B

User Guide

For further information on DJM-900NXS2 controls and details on individual features please refer to the Pioneer DJM-900NXS2 Hardware User Guide.

[Download the DJM-900NXS2 User Guide from the Pioneer website here.](#)

serato



DVS Control

To use the Pioneer DJM-900NXS2 mixer with DVS control and Serato DJ, you will first need to own a Serato DJ licence and a DVS Expansion Pack licence (these two products have been bundled together as the **Club Kit**). [Click here to purchase the Club Kit](#)

Once you have purchased and activated the Club Kit (or individual licences separately) follow the steps below to get DVS control working with your Pioneer DJM-900NXS2 mixer.

Install Drivers

Connect your mixer and open the latest version of Serato DJ. You should see an '**INSTALL DRIVER**' dialogue box appear in the right hand side-panel. Click '**INSTALL DRIVER**' and follow the installer prompts. If you don't have the supported hardware with you right now you can still download the driver from the hardware manufacturers website.

Select Input source

Once your turntables or CDJs are connected to the mixer, open the **SETUP** screen and click the **AUDIO** tab. Click the **SETUP INPUTS** button to open the Pioneer device driver panel. Select the input source you have connected under the **MIXER OUTPUT** tab. Depending on what kind of input you have connected (Turntables/CDJs) you will need to make sure this is set accordingly for each channel.

NOTE: If you do not set the mixer's input accordingly, DVS control will not work. Please make sure you have set the correct inputs and outputs in the **SETUP INPUTS** driver panel.

Select Primary Decks

Also in the **AUDIO** tab of the **SETUP** screen, you will need to select your Primary Decks.

Choosing Channel 1 and 2, will allow you to have a traditional 1-2-3-4 channel configuration. Choosing Channel 2 and 3 will allow you to have a 3-1-2-4 configuration (from left to right across the mixer).

Select which deck configuration you are using with the mixer and change if necessary. If you notice you are getting signal from your control tone but on the wrong deck, you might need to double-check your Primary Decks in the **SETUP** screen or the physical inputs on the back of the mixer.

You are now set up to use your mixer with Serato DJ and DVS control using the REL or ABS control modes. See the Serato DJ manual for more information on Control Modes.

serato



MIDI

The MIDI feature in Serato DJ provides the ability to remap Serato DJ software functions to your primary Serato DJ controller, interface or mixer. You can also assign controls to a secondary MIDI controller to further enhance your performance.

[For more information on MIDI mapping with Serato DJ click here.](#)

To remap your supported Serato DJ device, open the **SETUP** screen and click the **MIDI** tab. If your Serato DJ device supports hardware remapping it will show up in the **MIDI Devices** list at the top.

Select your connected device from the MIDI Devices list and make sure the “Enable MIDI device” option is checked.

Enable MIDI Device

Once checked, the MIDI assign button at the top of the screen will become available for you to start remapping.


MIDI


You can save, edit or delete MIDI presets in the **MIDI** tab of the **SETUP** screen. Clicking ‘**Restore Defaults**’ will erase any custom mappings for all connected devices and revert their functions back to default.

[Download the Serato DJ software manual for further information.](#)

NOTE: Official Serato Accessories do not currently support user remapping. Hardware features that cannot be remapped at this stage are Jogwheels/Platters, Input Switches, Shift buttons and Performance Pad Mode buttons. Re-mapping any pad(s) in Hot Cue mode will also re-map the same pad in Saved Flip mode and vice versa.

Using the Tool Tips

Click on the  icon to enable Tool Tips. This is located in between the MIDI and setup button in the top right hand corner of the screen. Tool Tips provide a handy way to learn the various features of Serato DJ.

Move the mouse over a section of the screen to bring up a context sensitive tool tip. Holding the mouse over the  button with Tool Tips turned on will show you a list of all keyboard shortcuts.

[For more information about how to use Serato DJ, please go to our website \[www.serato.com\]\(http://www.serato.com\) or download the Serato DJ Manual.](#)

[For more information on your DJM-900NXS2, please refer to the Pioneer DJM-900NXS2 hardware manual.](#)

Recording

You are able to record the software mix with Serato DJ and the DJM-900NXS2. To make sure your mixer is set up for recording, open the SETUP screen and click the AUDIO tab. Launch the device driver panel by clicking the DECK SETUP button at the top of the AUDIO tab.

Nominate a channel under the “Mixer Output” tab (we recommend USB9/10, as this will not sacrifice any channels in Serato DJ) and select ‘REC OUT’ in the dropdown for this dedicated Channel. This will give up this channel for recording. Once you have selected a channel for recording, close the SETUP screen and open the REC panel. Select the same channel you nominated as the output for recording. This will now record the software mix.

For more information, please refer to the DJM-900NXS2 mixer’s hardware manual.

serato

