

QUICK-START GUIDE

PIONEER CDJ-2000NXS2

serato



Installation and Setup

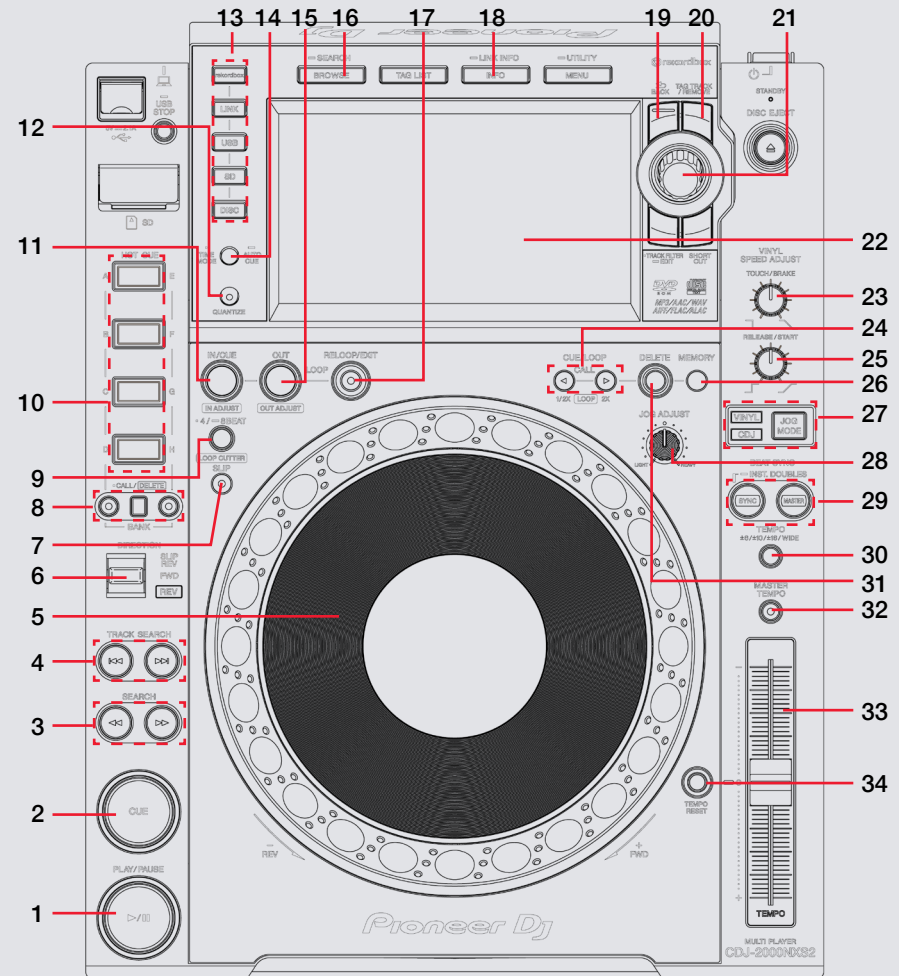
The Pioneer CDJ-2000NXS2 is a class compliant USB plug and play device for Mac & Windows.

To use a pair of CDJs with Serato DJ in HID mode, you will need at least 3 available USB ports. If you don't have 3 ports available you may be able to connect your CDJs to a powered USB hub. It is however, important to always connect your Serato DJ hardware directly to your computer.

Please also ensure you have also installed the latest available version of [Serato DJ](#).

1. Connect your Serato DJ hardware as per normal into an available USB port on your computer.
2. Connect the CDJ to your computer via USB cable or USB hub.
3. Open Serato DJ.
4. Press the LINK button on the CDJ-2000NXS2.
5. Press the Scroll Knob to connect to the computer.
6. Use the Scroll Knob to choose which virtual deck you wish the CDJ-2000NXS2 to control.
7. Set the virtual deck in Serato DJ to Internal mode (INT).

Your CDJ-2000NXS2 can also be used to play regular CDs. To do this just connect the CDJs audio outs (RCA) to your Serato DJ hardware as you would your regular CD players.



#	CDJ-2000NXS2 Control	Function
1	PLAY/PAUSE	Play/Pause track
2	CUE	Works as CDJ style cue button for setting and jumping to temporary cue.
3	SEARCH	Fast Forward/Rewind
4	TRACK SEARCH	Load Next Track/Previous Track
5	JOG WHEEL	Touch the top to scratch or jog. Moving the outside of the wheel will jog.
6	DIRECTION	Switch up activates Censor / Switch down activates Reverse
7	SLIP	Enables Slip mode
8	CALL/DELETE/BANK	Left bank button toggles HOT CUE points 1-4 / Right bank button toggles HOT CUE points 5-8. Hold CALL while pressing HOT CUE buttons to delete respective HOT CUE point
9	4/8 BEAT AUTOLOOP	Press once for 4 beat Autoloop. Press and hold for 8 beat Autoloop. Press while loop is active to halve loop
10	HOT CUE A-B-C-D / E-F-G-H	Adds Hot Cue Points if there are no Hot Cue Points currently saved/Triggers existing Hot Cue Points
11	IN	Set loop in point. (Press again to adjust the loop in point.)
12	QUANTIZE	Quantize ON/OFF
13	SOURCE SELECT	Select between either rekordbox/LINK/USB/SD/DISC source
14	TIME MODE	Toggle between time elapsed/remaining on CDJ display
15	OUT	Sets loop out point. (Press again to adjust the loop out point.)
16	BROWSE	Browse through Library
17	RELOOP/EXIT	Re loop/Exit Loop (Loop Active)
18	INFO	Displays track information
19	BACK	Toggles between Library and Crates
20	TAG TRACK/REMOVE	Add currently selected track to Prepare Panel.
21	SCROLL KNOB	Scrolls through library. Push the scroll knob to load selected track
22	TOUCH SCREEN	Display track and select library information. Allows for Needle Search functionality
23	TOUCH/BRAKE ADJUST	Adjust braking speed
24	CUE/LOOP CALL	Loop Halve / Loop Double when loop active. Loop slot select previous / Loop slot select next
25	RELEASE/START ADJUST	Adjust starting speed
26	MEMORY	Loop Slot Lock

27	JOG MODE	Toggles between jog or scratch mode for jog wheel
28	JOG ADJUST	Adjust platter sensitivity
29	BEAT SYNC	SYNC engages Sync, MASTER disengages Sync, long press of SYNC causes Instant Double
30	TEMPO	Cycle through available tempo ranges
31	DELETE	Deletes current Loop
32	MASTER TEMPO	Keylock On/Off
33	TEMPO FADER	Adjust Tempo
34	TEMPO RESET	Reset Tempo to zero


MIDI


The MIDI control feature in Serato DJ provides the ability to map Serato DJ software functions to MIDI controller functions such as keyboards, triggers, sliders, and knobs. Integrating MIDI controllers into your Serato DJ setup can improve live performance usability, such as hitting pads on a MIDI controller to trigger Loops or Cue Points. Buttons marked as 'MIDI mappable' can be MIDI mapped to the Serato DJ function of your choice.

For further information on how to MIDI map Serato DJ software functions, [download the Serato DJ manual](#).

NOTE: You can not change the functionality of other buttons by using the MIDI control feature.

Using the Tool Tips

Click on the  icon to enable Tool Tips. This is located in between the MIDI and setup button in the top right hand corner of the screen. Tool Tips provide a handy way to learn the various features of Serato DJ.

Move the mouse over a section of the screen to bring up a context sensitive tool tip. Holding the mouse over the  button with Tool Tips turned on will show you a list of all keyboard shortcuts.

For more information about how to use Serato DJ, please go to our website www.serato.com or download the Serato DJ Manual.

For more information on your CDJ-2000NXS2, please refer to the Pioneer CDJ-2000NXS2 manual.

For further help, please contact support@serato.com or go to <http://serato.com/dj/support>

serato

