

QUICK-START GUIDE

NUMARK
MIXDECK QUAD

serato



Installation and Setup

The Numark MixDeck Quad is a class compliant USB plug and play device for both Mac and Windows and does not require any further driver installation.

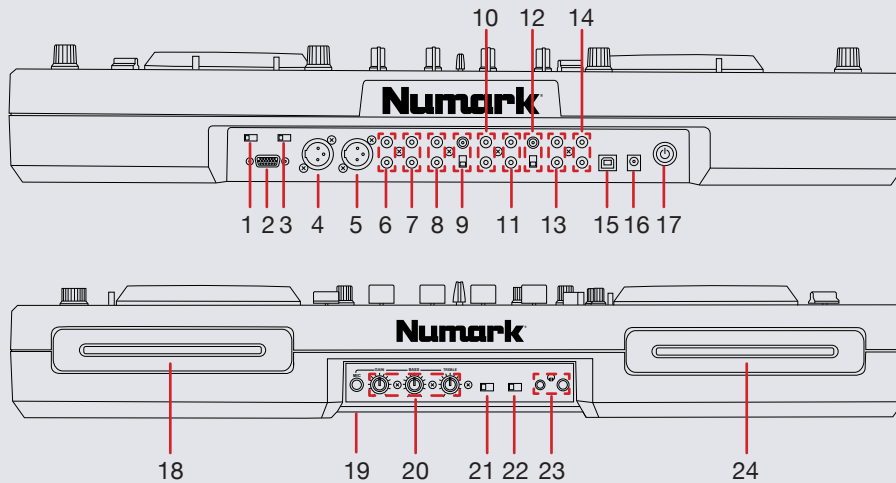
1. Download and install the latest version of Serato DJ from <http://serato.com/dj/downloads>
2. Connect your Numark MixDeck Quad to an available USB Port.
3. Open Serato DJ.

Serato DJ Activation

To find out how to activate Serato DJ by either starting your free 14 day trial, or purchasing a license for Serato DJ, click [here](#) for the most up to date information.

serato







- 12 GROUND POST & LINE/PHONO SWITCH (AUXILIARY INPUT 1)
- 13 DECK 2 OUTPUT (RCA)
- 14 DECK 1 OUTPUT (RCA)
- 15 USB INPUT
- 16 POWER DC ADAPTER INPUT
- 17 POWER ON/OFF
- 18 DECK A CD INPUT
- 19 MIC 1/4" INPUT
- 20 MIC EQ
- 21 CROSSFADER SLOPE SWITCH
- 22 CROSSFADER MODE SWITCH NORMAL/REVERSE
- 23 1/4" & 1/8" HEADPHONE INPUT
- 24 DECK B CD INPUT

#	Numark Mixdeck Quad Control
1	PGM/CUE MONO
2	AUXILIARY INPUT 3
3	USB 1/2 & PGM/CUE
4	MASTER OUTPUT RIGHT (XLR)
5	MASTER OUTPUT LEFT (XLR)
6	MASTER OUTPUT (RCA)
7	BOOTH OUTPUT (RCA)
8	RECORD OUTPUT (RCA)
9	GROUND POST & LINE/PHONO SWITCH (AUXILIARY INPUT 2)
10	AUXILIARY INPUT 1
11	AUXILIARY INPUT 3


NOTE: The mic level can be further adjusted in the Serato DJ setup screen under the MIXER tab.

Looping



You have up to 8 loops per track in Serato DJ, and the choice between either manual or auto loops. You can choose whether you have 4 loops (and 4 cuepoints) showing on screen, or 8 loops. To switch between Manual and Auto looping, click  (Manual) or  (Auto) onscreen.

Mixdeck Quad Control	Function	Shift Function
LOOP IN	Set manual loop in point	Halve loop length
LOOP OUT	Set manual loop out point	Double loop length
RELOOP	Reloop / Loop Exit	Loop Enable / Autoloop enable

DJ-FX

The DJ-FX in Serato DJ are powered by iZotope™. Click the FX tab  to open the FX panel. Select either 1, 2 or M to assign the selected effect bank to a deck or Master Output.

There are two available modes in the DJ-FX. Single FX Mode allows you to select one effect per FX bank, and has multiple parameters that can be adjusted. Multi FX Mode allows you to select up to three effects per FX bank, and adjust only one parameter, the FX Depth. The same effects available in Single FX mode are available in Multi FX mode, as well some additional presets.

You can select between the two FX modes by clicking either the Single FX mode button  or Multi FX mode button. 

Mixdeck Quad Control	Single FX Mode	Multi FX Mode
WET/DRY	Adjust FX parameter 1	Adjust FX slot 1 depth
FX	Use to turn FX on / off	Use to turn FX in slot 1 on / off
FX SELECT	Use to select FX	Use to select FX in slot 1
PARAMETER	Turn to adjust FX Beats / Tap to change FX BPM	Turn to adjust FX Beats / Tap to change FX BPM
FX DIAL 4	Adjust beats	Adjust beats
FX BUTTON 1	Turn FX on	Turn FX slot 1 on
FX BUTTON 2	Adjust FX parameter 2	Turn FX slot 2 on
FX BUTTON 3	Adjust FX parameter 4	Turn FX slot 3 on
FX BUTTON 4	Tap to set FX BPM / Hold to reset	Tap to set FX BPM / Hold to reset

Serato Video

Serato Video is an Expansion Pack for Serato Software which adds the ability to playback and mix video files, use effects and fader transitions with your Serato DJ hardware, an additional MIDI controller or your mouse/keyboard.

For more information on serato video go to <http://serato.com/video>

MIDI

The MIDI control feature in Serato DJ provides the ability to map Serato DJ software functions to MIDI controller functions such as keyboards, triggers, sliders, and knobs. Integrating MIDI controllers into your Serato DJ setup can improve live performance usability, such as hitting pads on a MIDI controller to trigger Loops and Cue Points.

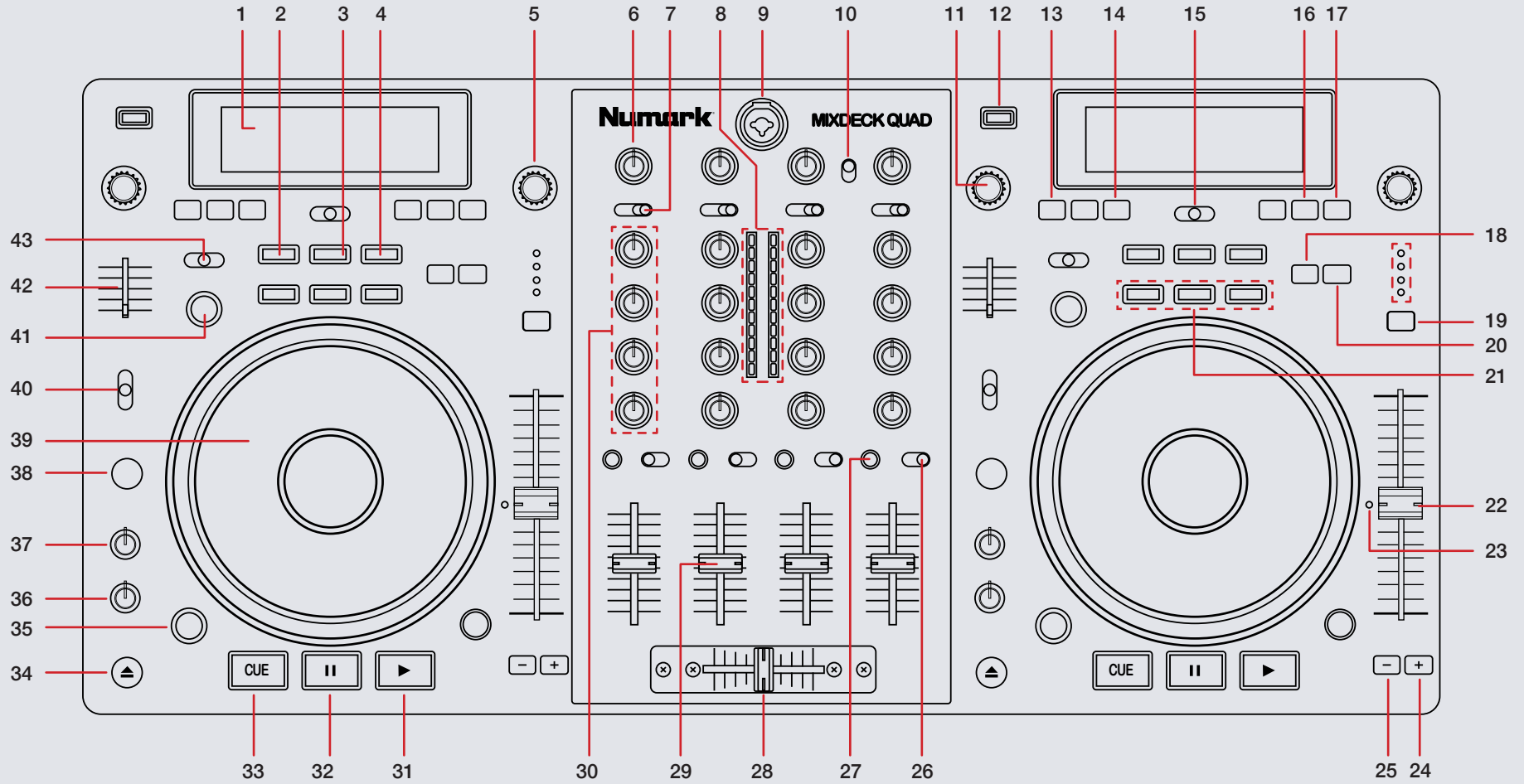
For more information download the serato dj manual by going to <http://serato.com/dj/downloads>

serato



DJ

Controller




NOTE: The **SHIFT** button is used with other buttons that have shift modifier functions.


#	Mixdeck Quad Control	Function	Shift Function
1	LCD SCREEN DISPLAY	Track information, pitch, BPM, and source are displayed here	
2	LOOP IN	Set Manual Loop IN point	
3	LOOP OUT	Set Manual Loop OUT point	
4	RELOOP	Reloop/Loop EXIT	
5	TRACK (knob)	Scroll Focused area/push to load track	
6	HEADPHONE CUE MIX	Adjust's headphone output between CUE & PGM	
7	DECK A ASSIGN SWITCH	Toggle & Assign to DECK 1, MIC, MIDI USB 1	
8	LED METERS	Monitors the Audio Level of the Mix	
9	MIC 2 INPUT	MICROPHONE INPUT 2	
10	MASTER OUTPUT SETTING SWITCH	Set Master Output to either STEREO & MONO	
11	PARAMETER & SOURCE (KNOB)	Adjust FX Beats Parameter & Source Mode Select	
12	USB INPUT B	USB Input Source Input B	
13	SOURCE	Select SOURCE MODE	
14	TIME	Toggle between LCD time ELAPSED & time REMAINING	
15	SHIFT	Used to move looped section back or forwards along waveform	
16	MODE	Turn AUTOPLAY ON/OFF	
17	BACK	Toggle between LIBRARY & CRATES	
18	REC	Hold down and press hot cue/s 1-3 to DELETE	
19	PITCH RANGE	Toggle between Pitch Range increments	
20	MODE	Hold down and press hot cue/s to Trigger SAMPLE SLOT 1-3	
21	HOT CUE	Trigger/Set HOT CUE	
22	TEMPO SLIDER	Adjust Tempo	
23	0% Value LED	Indicates that TEMPO value is at 0% Value	

#	Mixdeck Quad Control	Function	Shift Function
24	PITCH BEND +	Increases PITCH Value	
25	PITCH BEND -	Decreases PITCH Value	
26	CROSSFADER ASSIGN	Assign Channel to preferred DECK A/B	
27	PFL/CUE	Cue Selected Channel	
28	CROSSFADER	Crossfade between LEFT & RIGHT Channels	
29	CHANNEL FADER	Adjust Channel Output	
30	EQ	Adjust HI, MID & LOW Frequencies	
31	PLAY	Play Track	
32	PAUSE	Pause Track	
33	CUE	Add or Jump to Temporary Cue	
34	EJECT	Eject Loaded Track	
35	SCRATCH	Turn ON/OFF Vinyl Mode	
36	START TIME (knob)	Adjust Platter Start Time	
37	STOP TIME (knob)	Adjust Platter Stop Time	
38	TAP	Tap Deck Tempo/Edit Grid Mode	
39	PLATTER	Adjust, Scratch or Jog	
40	BLEEP/REVERSE	Censor or Reverse Playback	
41	FX	Turn FX ON/OFF	
42	WET/DRY	FX Wet & Dry Parameters	
43	FX SELECT	Select FX	

NOTE: When using the CUE function, you can adjust the CUE MIX between the cue output and the master output. This is done by using CUE MIX found in the SETUP screen under the MIXER tab.

Using the Tool Tips

Click on the  icon to enable Tool Tips. This is located in between the MIDI and setup button in the top right hand corner of the screen. Tool Tips provide a handy way to learn the various features of Serato DJ.

Move the mouse over a section of the screen to bring up a context sensitive tool tip. Holding the mouse over the  button with Tool Tips turned on will show you a list of all keyboard shortcuts.

For more information about how to use Serato DJ, please go to our website www.serato.com or refer to the Serato DJ Software Manual.

For more information on your controller, please refer to the hardware manual.

For further help, please contact support@serato.com or go to www.serato.com/dj/support