

QUICK-START GUIDE

ALLEN & HEATH XONE:43C

serato



Installation and Setup

To activate Serato DJ with the Allen & Heath XONE:43C it requires a Serato DJ license to be purchased and activated on your user account. The Xone:43C also requires the DVS Expansion Pack to be purchased and activated before unit can be used with NoiseMap™ control tone to control DVS playback. [You can purchase both products here.](#)

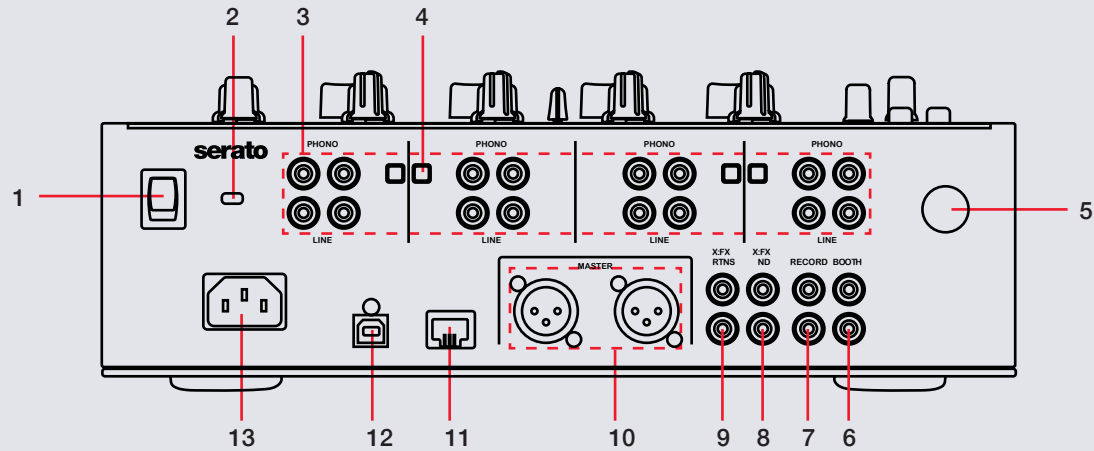
The Allen & Heath XONE:43C requires drivers on both Mac OS X and Windows. Please make sure you have the latest drivers installed. It is always important to connect your mixer directly to your computer, rather than a USB hub. Please also ensure you have installed the latest available version of Serato DJ.

To use the DVS Expansion Pack with the XONE:43C you will need to follow the steps in the [DVS Control section](#).

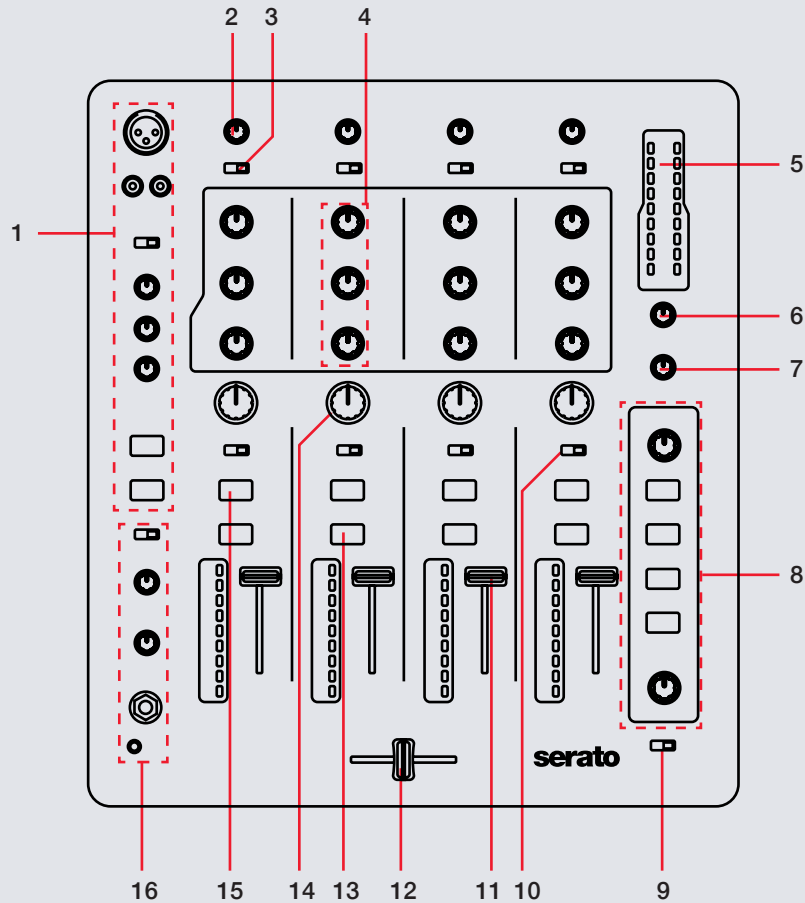
serato



Mixer



#	XONE:43C Control	Function
1	ON/OFF	Power ON/OFF switch
2	KENISNGTON LOCK	Connect a Kensington lock to secure mixer
3	PHONO/LINE	Connect RCA phono or line level inputs
4	CHANNEL INPUT SOURCE	Select channel input source (Phono/Line)
5	GROUNDING POST	Connect grounding wire from turntables
6	BOOTH	Booth RCA output
7	RECORD	Record RCA output
8	X-FX SEND	Send out to X-FX unit
9	X-FX RETURN	Return in from X-FX unit
10	MASTER	Master XLR output
11	X-LINK	Connect to link to another X-LINK device
12	USB	Connect USB to your computer
13	DC POWER IN	Connect DC power cable



#	XONE:43C Control	Function
1	MIC SECTION	Input and controls for a microphone
2	TRIM	Adjust channel trim volume
3	CHANNEL INPUT SOURCE	Select channel input source
4	TOTAL KILL EQ	Channel EQ controls
5	LED OUTPUT METER	Displays output levels
6	MASTER	Master output volume
7	BOOTH	Booth output volume
8	FILTER SECTION	XONE:43C filter controls
9	CROSSFADER CURVE	Adjust crossfader curve
10	X/FADE X/Y	Select channel crossfader assign
11	CHANNEL VOLUME FADER	Control channel volume
12	CROSSFADER	Fade audio between channels
13	FILTER ON/OFF	Channel Filter On/Off
14	X-FX	X-FX Dry/Wet control
15	CUE	Monitor channel cue
16	HEADPHONE SECTION	Input and control headphone output

XONE:43C User Guide

For further information on XONE:43C controls and details on individual Menu features please refer to the Allen & Heath XONE:43C Hardware User Guide.

[Download the XONE:43C User Guide from the Allen & Heath website here.](#)

serato



DVS Control

To use the Allen & Heath XONE:43C mixer with DVS control and Serato DJ, you will first need to own a Serato DJ licence and a DVS Expansion Pack licence (these two products have been bundled together as the **Club Kit**). [Click here to purchase the club kit.](#)

Once you have purchased and activated the Club Kit (or individual licences separately) follow the steps below to get DVS control working with your Allen & Heath XONE:43C mixer.

Install Drivers

Connect your mixer and open the latest version of Serato DJ. You should see an '**INSTALL DRIVER**' dialogue box appear in the right hand side-panel. Click '**INSTALL DRIVER**' and follow the installer prompts. If you don't have the supported hardware with you right now you can still download the driver from the hardware manufacturers website.

Select Input source

Once your turntables or CDJs are connected to the mixer, check that you are using the correct input setting on the back of the mixer. If you have connected an analogue source (like turntables), make sure you have the input set to PH (Phono), if you have connected a digital source (like CDJs) make sure it is set to LN (Line) accordingly.

Select Primary Decks

Open the **SETUP** screen and click the **AUDIO** tab, here you will need to select your Primary Decks.

Choosing Channel 1 and 2, will allow you to have a traditional 1-2-3-4 channel configuration. Choosing Channel 2 and 3 will allow you to have a 3-1-2-4 configuration (from left to right across the mixer).

Select which deck configuration you are using with the mixer and change if necessary. If you notice you are getting signal from your control tone but on the wrong deck, you might need to double-check your Primary Decks in the **SETUP** screen or the physical inputs on the back of the mixer.

You are now set up to use your mixer with Serato DJ and DVS control using the REL or ABS control modes. See the Serato DJ software manual for more information on Control Modes.

serato



MIDI

The MIDI feature in Serato DJ provides the ability to remap Serato DJ software functions to your primary Serato DJ controller, interface or mixer. You can also assign controls to a secondary MIDI controller to further enhance your performance.

[For more information on MIDI mapping with Serato DJ click here.](#)

To remap your supported Serato DJ device, open the **SETUP** screen and click the **MIDI** tab. If your Serato DJ device supports hardware remapping it will show up in the **MIDI Devices** list at the top.

Select your connected device from the MIDI Devices list and make sure the "Enable MIDI device" option is checked.

Enable MIDI Device

Once checked, the MIDI assign button at the top of the screen will become available for you to start remapping.

MIDI

You can save, edit or delete MIDI presets in the **MIDI** tab of the **SETUP** screen. Clicking '**Restore Defaults**' will erase any custom mappings for all connected devices and revert their functions back to default.

[Download the Serato DJ software manual for further information.](#)

NOTE: Official Serato Accessories do not currently support user remapping. Hardware features that cannot be remapped at this stage are Jogwheels/Platters, Input Switches, Shift buttons and Performance Pad Mode buttons. Re-mapping any pad(s) in Hot Cue mode will also re-map the same pad in Saved Flip mode and vice versa.


Recording


To record your mixes with Serato DJ and the XONE:43C you will need to designate a mixer channel to use for recording. You will not be able to use this channel in Serato DJ while it is used for recording.

Connect an RCA cable from the Record output on the back of the mixer to the input of the channel you have nominated. Open the REC panel inside Serato DJ and select this channel as your recording input. This will record the software mix.

See the XONE:43C User Guide for more information.

Using the Tool Tips

Click on the  icon to enable Tool Tips. This is located in between the MIDI and setup button in the top right hand corner of the screen. Tool Tips provide a handy way to learn the various features of Serato DJ.

Move the mouse over a section of the screen to bring up a context sensitive tool tip. Holding the mouse over the  button with Tool Tips turned on will show you a list of all keyboard shortcuts.

[For more information about how to use Serato DJ, please go to our website \[www.serato.com\]\(http://www.serato.com\) or download the Serato DJ Manual.](#)

[For more information on your XONE:43C, please refer to the Allen & Heath XONE:43C manual which can be downloaded from \[allen-heath.com\]\(http://allen-heath.com\).](#)

For further help, please email support@serato.com or go to serato.com/support

serato

