

# QUICK-START GUIDE AKAI PRO AMX

serato



DJ

# Installation and Setup

The Akai Pro AMX is a class compliant USB plug and play device for Mac, however requires drivers for Windows. You will find these on the manufactures website. Please visit <http://www.akaipro.com/> for more information.

**NOTE:** Please ensure you have the latest available drivers AND firmware updates, which may be required in order to be compatible with Serato DJ. Please go to <http://serato.com/dj/support>

1. Download and install the latest version of Serato DJ from <http://serato.com/dj/downloads>
2. Connect your Akai Pro AMX to an available USB Port.
3. Open Serato DJ.

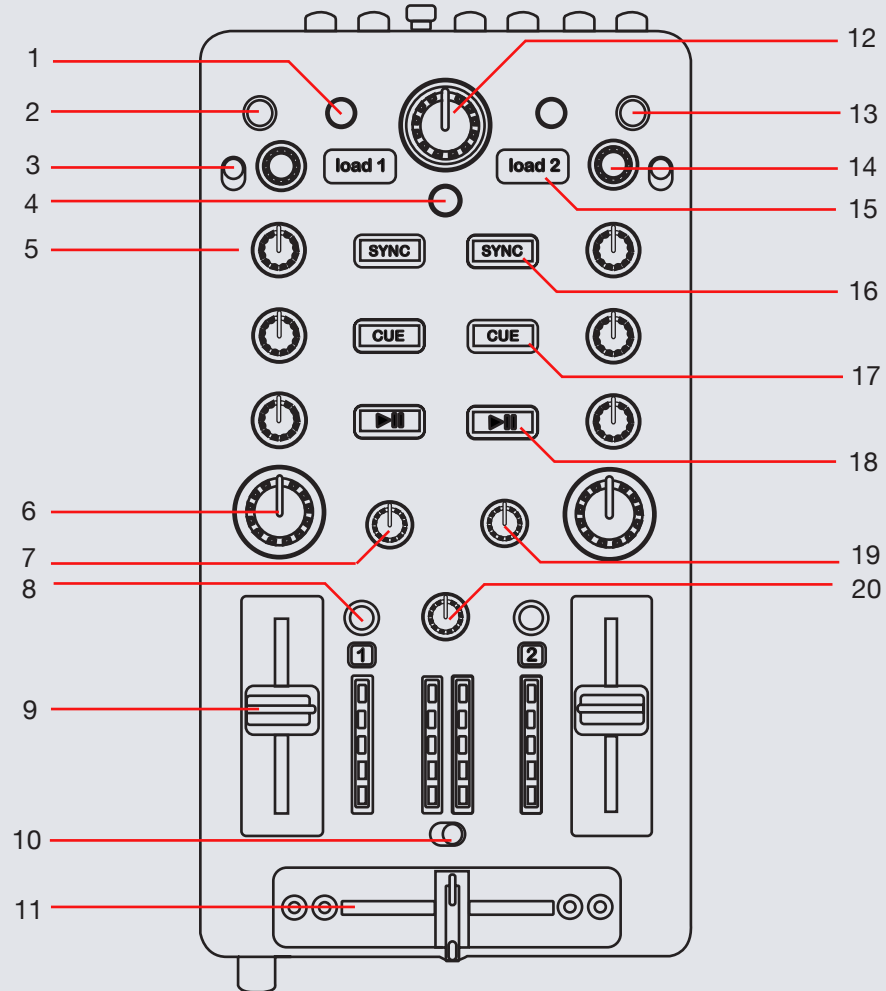
**NOTE:** The Akai Pro AMX does not require a Serato DJ license purchase. When you first download Serato DJ you will see the **MY SERATO** panel appear on the right hand side for you to manage your Serato DJ licenses and Expansion Packs.

Simply tick the box  **DO NOT SHOW AGAIN** in the bottom right hand corner, then click on **My Serato** which will hide this panel. Serato DJ will remember these settings for when you next open the software.

serato

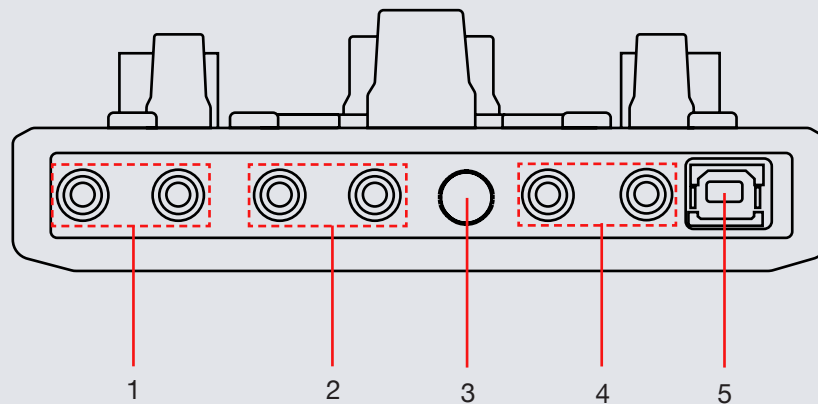


# Controller



**NOTE:** The SHIFT button is used with other buttons that have shift modifier functions.

#	Akai Pro AMX CONTROL	SERATO DJ FUNCTION	SHIFT
1	SEARCH	Hold and turn the BROWSE knob to nudge track +/-	Toggle Vinyl Control Mode.
2	PANEL	Toggle through available Serato DJ panels	
3	LINE/PHONO	Switch input type between Line and Phono	
4	SHIFT	USED WITH OTHER CONTROLS THAT HAVE SHIFT MODIFIER FUNCTIONS	
5	CHANNEL EQ	Adjust channel EQ	
6	HP/LP FILTER	Dedicated channel filter	
7	CUE MIX	Adjust cue signal between Master and Cue	
8	CHANNEL CUE	Cue selected channel in headphones	
9	CHANNEL FADER	Adjust channel output volume	
10	XFADE REV	Reverse crossfader/Hamster Style	
11	CROSSFADER	Crossfade between channels	
12	BROWSE	Library scroll. Used in conjunction with the SEARCH button to nudge track forward/backward.	
13	TOUCH	Enable touch sensitivity for EQ and Filter knobs	
14	CHANNEL GAIN	Adjust channel gain volume	Tempo Adjust
15	LOAD	Load selected song in library to deck	
16	SYNC	Turn Sync on	Turn Sync off
17	CUE	Play track from Temporary Cue point	Play previous track in library
18	PLAY/PAUSE	Play current track/Pause playing track	Play from Temporary Cue
19	CUE GAIN	Adjust volume of cued track in headphones	
20	MASTER	Adjust master output volume	



#	Akai Pro AMX CONTROL	FUNCTION
1	INPUT 1	External RCA input 1
2	INPUT 2	External RCA input 2
3	GROUNDING POST	Grounding posts to ground turntables
4	OUTPUT	RCA master output
5	USB	Connect the Akai Pro AMX to your computer with a USB cable

## MIDI

The MIDI feature in Serato DJ provides the ability to remap Serato DJ software functions to your primary Serato DJ controller, interface or mixer. You can also assign controls to a secondary MIDI controller to further enhance your performance.

[For more information on MIDI mapping with Serato DJ click here.](#)

To remap your supported Serato DJ device, open the **SETUP** screen and click the **MIDI** tab. If your Serato DJ device supports hardware remapping it will show up in the **MIDI Devices** list at the top.

Select your connected device from the MIDI Devices list and make sure the “Allow Serato Hardware Remapping” option is checked.

Allow Serato Hardware Remapping

Once checked, the MIDI assign button at the top of the screen will become available for you to start remapping.


MIDI


You can save, edit or delete MIDI presets in the **MIDI** tab of the **SETUP** screen. Clicking ‘**Restore Defaults**’ will erase any custom mappings for all connected devices and revert their functions back to default.

[Download the Serato DJ software manual for further information.](#)

**NOTE:** Official Serato Accessories do not currently support user remapping. Hardware features that cannot be remapped at this stage are Jogwheels/Platters, Input Switches, Shift buttons and Performance Pad Mode buttons. Re-mapping any pad(s) in Hot Cue mode will also re-map the same pad in Saved Flip mode and vice versa.

## Using the Tool Tips

Click on the  icon to enable Tool Tips. This is located in between the MIDI and setup button in the top right hand corner of the screen. Tool Tips provide a handy way to learn the various features of Serato DJ.

Move the mouse over a section of the screen to bring up a context sensitive tool tip. Holding the mouse over the  button with Tool Tips turned on will show you a list of all keyboard shortcuts.

For more information about how to use Serato DJ, please go to our website [www.serato.com](http://www.serato.com) or refer to the Serato DJ Software Manual. For more information on your controller, please refer to the hardware manual.

For further help, please contact [support@serato.com](mailto:support@serato.com) or go to [www.serato.com/support](http://www.serato.com/support)

## DVS Expansion

The Akai Pro AMX is Serato DVS Upgrade Ready. Use turntables or CD players to control Serato DJ using NoiseMap™ Control Tone records or CDs. You can enable CD and Vinyl control through the Setup screen after the DVS Expansion upgrade is purchased and has been activated inside the software.

[For more information and to purchase the DVS Expansion, see <http://serato.com/dj/dvs>](#)

serato

