

# QUICK-START GUIDE

# NOVATION DICERS

serato



DJ

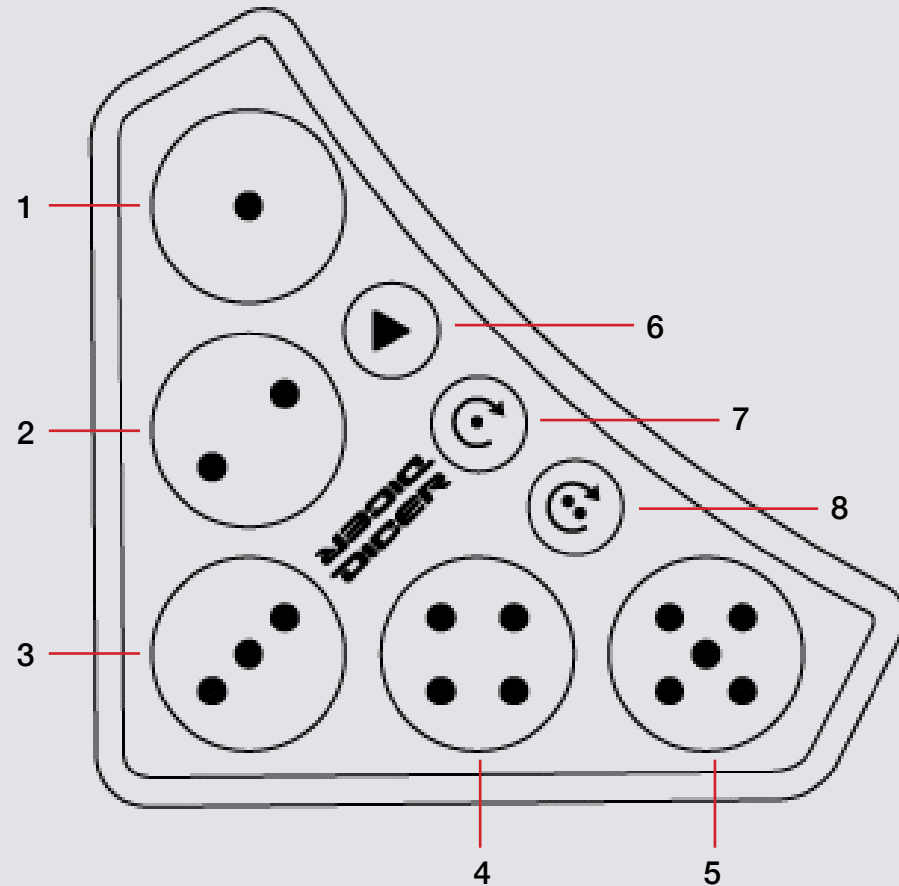
# Installation and Setup

The Novation Dicers are a class compliant USB plug and play device and require no further driver installation.

**NOTE:** Novation Dicers are an additional controller that will only work in addition to supported Serato DJ hardware. [Click here to see a list of supported Serato DJ hardware.](#)

1. Download and install the latest version of Serato DJ from <http://serato.com/dj/downloads>
2. Connect your supported Serato DJ hardware to a USB port.
3. Connect your Novation Dicers to an available USB Port.
4. Open Serato DJ.

# Controller



#	Novation Dicers	Hot Cue Mode	Loop Roll Mode (+ shift to access MIDI layer 1)	Auto Loop Mode (+ shift to access MIDI layer 2)
1	PAD 1	Set & Trigger Hot Cue 1	Loop Roll Trigger 1/16	Auto Loop Trigger 1 beat
2	PAD 2	Set & Trigger Hot Cue 2	Loop Roll Trigger 1/8	Auto Loop Trigger 2 beat
3	PAD 3	Set & Trigger Hot Cue 3	Loop Roll Trigger 1/4	Auto Loop Trigger 4 beat
4	PAD 4	Set & Trigger Hot Cue 4	Loop Roll Trigger 1/2	Auto Loop Trigger 8 beat
5	PAD 5	Set & Trigger Hot Cue 5	Loop Roll Trigger 1 beat	Auto Loop Trigger 16 beat
6	HOT CUE	Hot Cue Mode Select	Hot Cue Mode Select	Hot Cue Mode Select
7	LOOP ROLL	Loop Roll Mode Select	Loop Roll Mode Select	Loop Roll Mode Select
8	AUTO LOOP	Auto Loop Mode Select	Auto Loop Mode Select	Auto Loop Mode Select

**NOTE:** SHIFT functionality is engaged by **PRESSING + HOLDING** each **MODE** button - these layers are **NON-LATCHING**.

#	Novation Dicers	Hot Cue Mode	Loop Roll Mode (MIDI Mappable Layer 1)	Auto Loop Mode (MIDI Mappable Layer 2)
1	PAD 1	Delete Hot Cue 1	MIDI Layer 1	MIDI Layer 2
2	PAD 2	Delete Hot Cue 2	MIDI Layer 1	MIDI Layer 2
3	PAD 3	Delete Hot Cue 3	MIDI Layer 1	MIDI Layer 2
4	PAD 4	Delete Hot Cue 4	MIDI Layer 1	MIDI Layer 2
5	PAD 5	Delete Hot Cue 5	MIDI Layer 1	MIDI Layer 2
6	HOT CUE*			
7	LOOP ROLL*			
8	AUTO LOOP*			

\*THESE 3 THREE BUTTONS ARE NOT MAPPABLE

serato




# MIDI Mappable Layers


**NOTE: MIDI Layers are NON-LATCHING.**

MIDI Mappable Layers can be accessed by PRESSING + HOLDING the LOOP ROLL or AUTO LOOP mode buttons. With a pair of Novation Dicers, up to 20 software functions (10 each Dicer) can be mapped using the MIDI functionality in the Serato DJ software.

For MIDI Mapping instructions SEE MIDI MAPPING 101.

## Using the Tool Tips

Click on the  icon to enable Tool Tips. This is located in between the MIDI and setup button in the top right hand corner of the screen. Tool Tips provide a handy way to learn the various features of Serato DJ.

Move the mouse over a section of the screen to bring up a context sensitive tool tip. Holding the mouse over the  button with Tool Tips turned on will show you a list of all keyboard shortcuts.

For more information about how to use Serato DJ, please go to our website [www.serato.com](http://www.serato.com) or refer to the Serato DJ Software Manual. For more information on your controller, please refer to the hardware manual.

For further help, please contact [support@serato.com](mailto:support@serato.com) or go to [www.serato.com/dj/support](http://www.serato.com/dj/support)

serato

